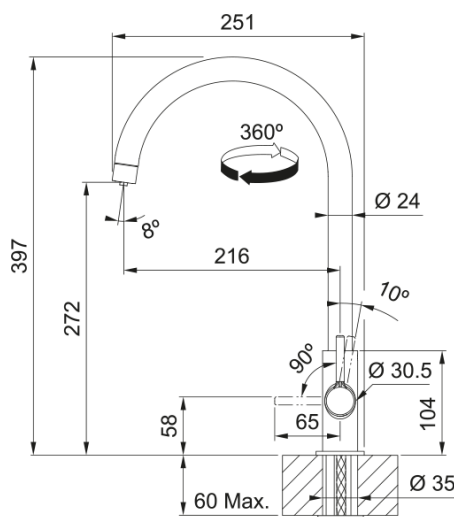


Lina Clear Water J Swivel Filtered | 120.0730.806



Lina Clear Water 2.0 3-way filter tap provides pure water thanks to a special two-stage process, which removes heavy metals and sediments down to 0.2 microns, Overall height 397mm, Side Lever. 15 Year warranty on body construction. Compatible with 4C Filter with 11,350 L capacity.

Product Information

Spout version	J - spout
Color	Chrome
Type of material	Brass

Dimensions

Height overall	397.0
Tap hole diameter	35 mm
Cartridge dimension	25 mm

Installation

Fixation type	1 bolt
Water supply hose connection	3/8"
Water supply hose length	500 mm

Product specifications

Pressure	High Pressure
Version	Swivel
Tap operation	side lever
Tap rotation	360°
Filtered water flowrate @3bars	2.8
Mixed water flowrate @3bars	7.5

Product identification

Product brand	FRANKE
Product family	Smart
Model range	Lina

Properties

Eco water saving	no
Type of aerator	Honeycomb
Type of multifunctional system	Water filtration