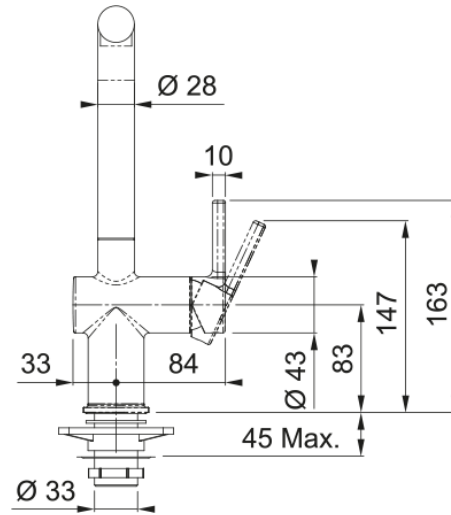


# Active Plus 2.0 Swivel | 115.0653.376



Active Plus 2.0 Swivel. Overall height 312mm, 10/90 Degree handle movement, 180 Degree, colour matched to Fraganite range. White. 5 Year warranty on body construction.

## Product Information

Spout version L - spout

Color Polar white

Type of material Brass

## Dimensions

Height overall 312.0

Tap hole diameter 35 mm

Cartridge dimension 35 mm

## Installation

Fixation type shank

Water supply hose connection 3/8"

Water supply hose length 450 mm

## Product specifications

Pressure High Pressure

Version Swivel

Tap operation side lever

Tap rotation 180°

Mixed water flowrate @3bars 8.3

## Product identification

Product brand FRANKE

Product family Maris

Model range Active

## Properties

Eco water saving yes

Type of aerator Laminar