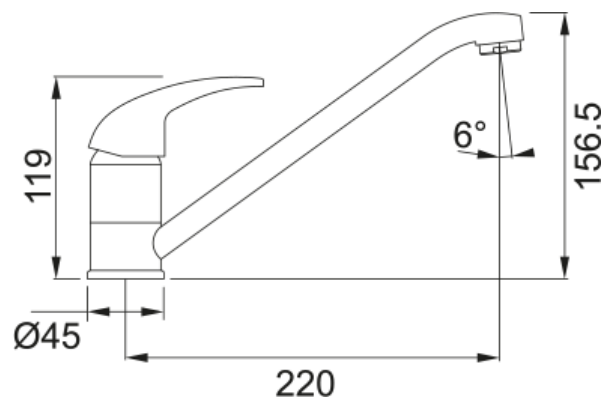


Projectline V2 Swivel | 115.0193.184



Projectline V2 Swivel, Solid DZR Brass Construction, Ceramic Disk Cartridge with Anti-sold Smart Lime Cleaning Aerator. 15 Year warranty on body construction.

Product Information

Spout version	Low Spout
Color	Chrome
Type of material	Brass

Dimensions

Height overall	156.5
Tap hole diameter	35 mm
Cartridge dimension	35 mm

Installation

Fixation type	1 bolt
Water supply hose connection	3/8"
Water supply hose length	350 mm

Product specifications

Pressure	High Pressure
Version	Swivel
Tap operation	top lever
Tap rotation	360°

Product identification

Product brand	FRANKE
Product family	Smart
Model range	Projectline

Properties

Eco water saving	no
Type of aerator	Honeycomb