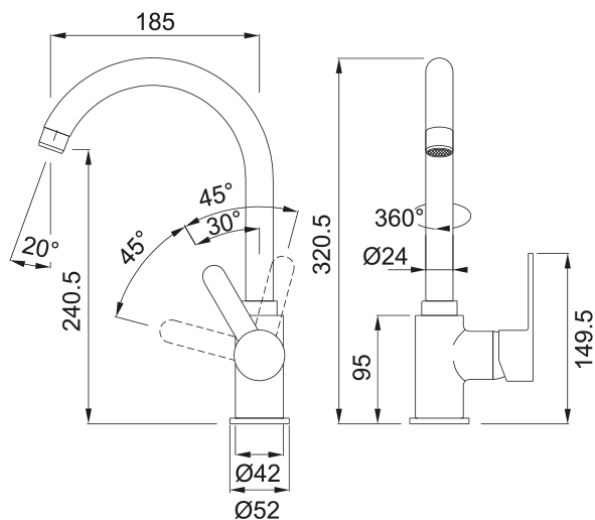


Highrise Swivel | 115.0193.183



Highrise Swivel, Chrome finish, Overall height 321mm, Side Lever, Solid DZR Brass Construction, Ceramic Disk Cartridge with Anti-scold Smart Lime Cleaning Aerator. 15 Year warranty on body construction.

Product Information

Spout version	J - spout
Color	Chrome
Type of material	Brass

Dimensions

Height overall	320.5
Tap hole diameter	35 mm
Cartridge dimension	35 mm

Installation

Fixation type	1 bolt
Water supply hose connection	3/8"
Water supply hose length	350 mm

Product specifications

Pressure	High Pressure
Version	Swivel
Tap operation	side lever
Tap rotation	360°

Product identification

Product brand	FRANKE
Product family	Smart
Model range	Highrise

Properties

Eco water saving	no
Type of aerator	Honeycomb