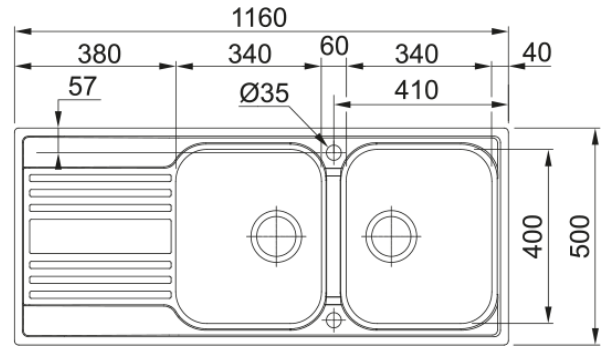
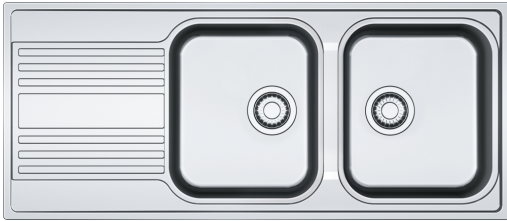


Rapid RPX621 Sink | 101.0736.953



RPX 621-116 1160x500mm, satin sink, waste hole 3 1/2", reversible, with waste kit, without tap hole, with rectangular overflow hole, bag

Product Information

Sink type	Sink (w/ drainer)
Type of material	Stainless Steel
Number of bowls	2
Color	Steel
Finish	X Brushed

Dimensions

External size: right to left	1160.0
External size: front to back	500.0
Bowl 1 size: right to left	340.0
Bowl 1 size: front to back	400.0
Bowl 1: depth	180.0
Bowl 2 size: right to left	340.0
Bowl 2 size: front to back	400.0
Bowl 2: depth	180.0
Cutout inset: right to left	1140.0
Cutout inset: front to back	480.0

Installation

Minimum cabinet size	80 cm
----------------------	-------

Product specifications

Installation type	inset
Waste outlet	3 1/2"
Position of drainer	Reversible
Active Twist Compatibility	No

Product identification

Product brand	FRANKE
Product family	None
Model range	Rapid

Approval logo	CE
Properties	
Drainers number	1
Product reversibility	yes
Tap ledge	Yes
Waste kit included	yes
Waste kit type	manual
Siphon included	no
Number of tap holes	None
Soap dispenser hole	no