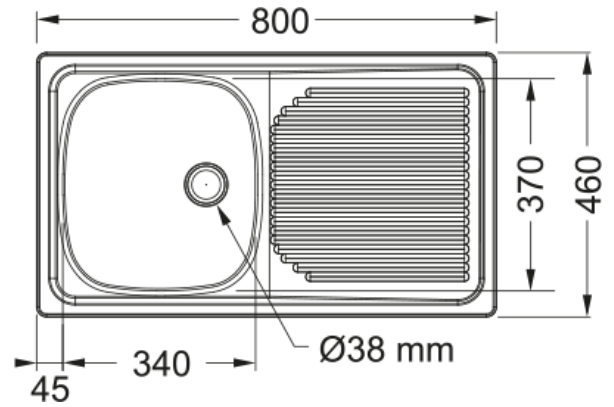


Projectline PLN611 | 101.0312.551



Projectline PLN 611 800x460mm, Inset, Stainless Steel. 38mm Waste. 25 Year Warranty.

Product Information

Sink type	Sink (w/ drainer)
Type of material	Stainless Steel
Number of bowls	1
Color	Steel
Finish	Unbrushed

Dimensions

External size: right to left	800.0
External size: front to back	460.0
Bowl 1 size: right to left	340.0
Bowl 1 size: front to back	370.0
Bowl 1: depth	150.0
Cutout inset: right to left	776.0
Cutout inset: front to back	436.0

Installation

Minimum cabinet size	40 cm
----------------------	-------

Product specifications

Installation type	inset
Waste outlet	2"
Position of drainer	Reversible
Active Twist Compatibility	No

Product identification

Product brand	FRANKE
Product family	None
Model range	Project Line

Properties

Drainers number	1
Product reversibility	yes

Tap ledge	Yes
Waste kit included	yes
Waste kit type	manual
Siphon included	no
Number of tap holes	None
Soap dispenser hole	no