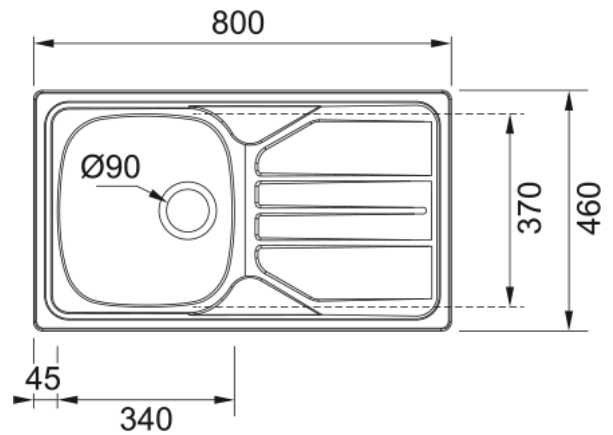


Nouveau NVN611 | 101.0312.004



Nouveau NVN 611 800x460mm, Inset, Stainless Steel. 90mm Waste. 25 Year Warranty.

Product Information

Sink type	Sink (w/ drainer)
Type of material	Stainless Steel
Number of bowls	1
Color	Steel
Finish	Unbrushed

Dimensions

External size: right to left	800.0
External size: front to back	460.0
Bowl 1 size: right to left	343.0
Bowl 1 size: front to back	370.0
Bowl 1: depth	145.0
Cutout inset: right to left	776.0
Cutout inset: front to back	436.0

Installation

Minimum cabinet size	40 cm
----------------------	-------

Product specifications

Installation type	inset
Waste outlet	3 1/2"
Position of drainer	Reversible
Active Twist Compatibility	No

Product identification

Product brand	FRANKE
Product family	None
Model range	Nouveau

Properties

Drainers number	1
Product reversibility	yes

Tap ledge	Yes
Waste kit included	yes
Waste kit type	manual
Siphon included	no
Number of tap holes	None
Soap dispenser hole	no