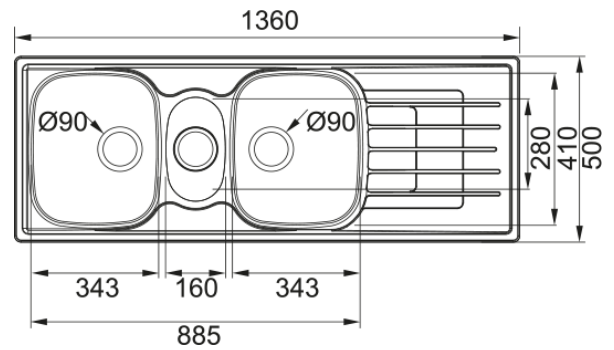


# Cascade CDX671 | 101.0311.966



Cascade CDX 671 1360x500mm, Inset, Stainless Steel. 90mm Waste. 25 Year Warranty.

## Product Information

Sink type	Sink (w/ drainer)
Type of material	Stainless steel
Number of bowls	3
Color	Steel
Finish	Brushed

## Dimensions

External size: right to left	1360.0
External size: front to back	500.0
Bowl 1 size: right to left	343.0
Bowl 1 size: front to back	410.0
Bowl 1: depth	155.0
Bowl 2 size: right to left	160.0
Bowl 2 size: front to back	280.0
Bowl 2: depth	155.0
Cutout inset: right to left	1336.0
Cutout inset: front to back	476.0

## Installation

Minimum cabinet size	90 cm
----------------------	-------

## Product specifications

Installation type	Inset
Waste outlet	3 1/2"
Position of drainer	Reversible drainer
Active Twist Compatibility	No

## Product identification

Product brand	FRANKE
Product family	None
Model range	Cascade

**Properties**

Drainers number	1
Product reversibility	yes
Tap ledge	Yes
Waste kit included	yes
Waste kit type	manual
Siphon included	no
Number of tap holes	None
Soap dispenser hole	no