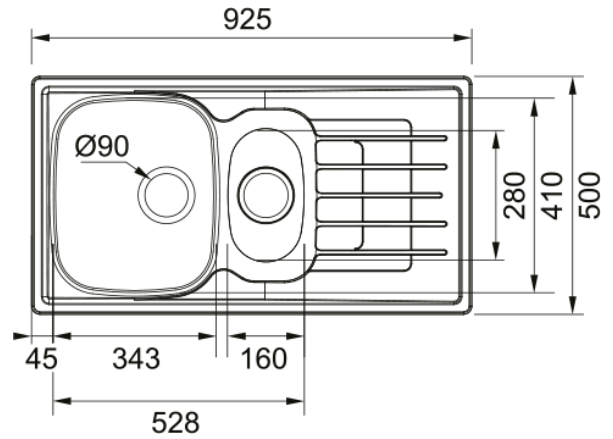


Cascade CDX 651 | 101.0311.813



Cascade CDX 651 925x500mm, Inset, Stainless Steel. 90mm Waste. 25 Year Warranty.

Product Information

Sink type	Sink (w/ drainer)
Type of material	Stainless Steel
Number of bowls	1,5
Color	Steel
Finish	X Brushed

Dimensions

External size: right to left	925.0
External size: front to back	500.0
Bowl 1 size: right to left	343.0
Bowl 1 size: front to back	410.0
Bowl 1: depth	187.0
Bowl 2 size: right to left	160.0
Bowl 2 size: front to back	280.0
Bowl 2: depth	139.0
Cutout inset: right to left	905.0
Cutout inset: front to back	480.0

Installation

Minimum cabinet size	60 cm
----------------------	-------

Product specifications

Installation type	inset
Waste outlet	3 1/2"
Position of drainer	Reversible
Active Twist Compatibility	No

Product identification

Product brand	FRANKE
Product family	None
Model range	Cascade

Properties

Drainers number	1
Product reversibility	yes
Tap ledge	Yes
Waste kit included	yes
Waste kit type	manual
Siphon included	no
Number of tap holes	None
Soap dispenser hole	no