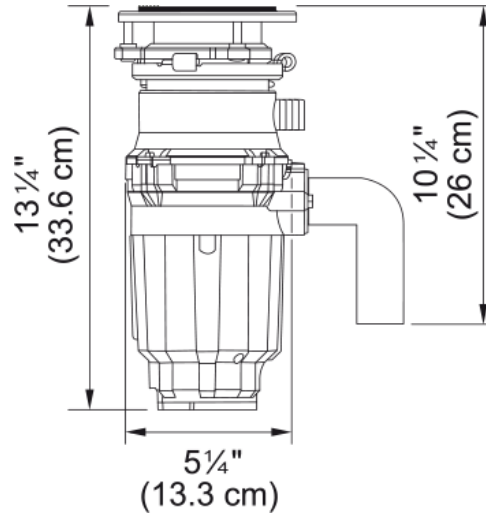


1/2 HP Food Waste Disposer - WDJ50 | 134.0482.020



Franke 1/2 Horse Power Compact Waste Disposer Continuous Feed Torque Master 2600 RPM Jam-Resistant DC Motor in Red/Chrome. Cleaning up after meals gets a whole lot easier with a state-of-the-art waste disposer from Franke. These energy efficient and environmentally friendly waste disposers are superior in every way from price to performance. They take less time to do the job, grind to septic system compatible levels of fineness and use less energy. Bio Shield Antimicrobial agents molded into the internal components of the disposers inhibit the growth of bacteria and reduce odors. Now you can safely and hygienically wash food scraps away.

Aspect

Product type Food waste disposer

Energy specifications

Voltage 120 V

Product identification

Product brand FRANKE

Product family Maris

Collection Disposer

Features

Horsepower 1/2 HP

Motor speed 2600.0

Waste disposer motor type Permanent magnet

Feed type Continuous