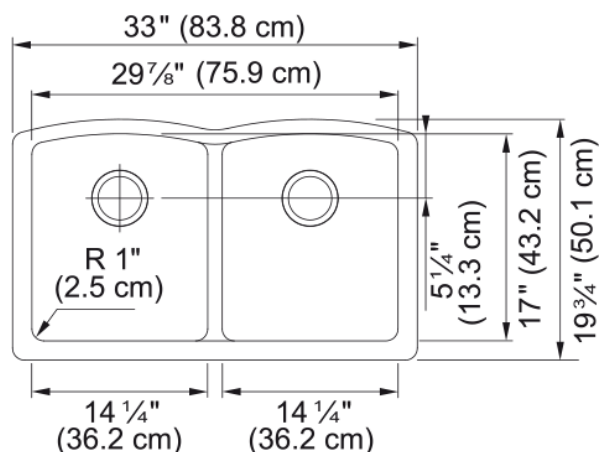


Ellipse Undermount Sink - ELG120PWT | 125.0637.084



33-in. x 19.7-in. Polar White Granite Undermount Double Bowl Kitchen Sink. Ellipse granite sinks are durable and resistant to scratches, stains and heat. The integrated antimicrobial Sanitized technology helps reduce odors and ensures safe protection against bacteria and mildew in your sink.

Aspect

Sink type	Sink
Type of material	Granite
Number of bowls	2
Color	Polar white
Surface finish	None

Product Dimensions

Length (right to left)	33
Width (front to back)	19.638
Large bowl size: right to left	14.331
Large bowl size: front to back	16.89
Large bowl: depth	9.016
Small bowl size: right to left	14.331
Small bowl size: front to back	16.89
Small bowl: depth	9.016

Installation

Minimum cabinet size	36"
----------------------	-----

Product specifications

Installation type	Undermount
Drain hole	3 1/2"
Position of drainer	No drainer

Product identification

Product brand	FRANKE
Collection	Ellipse
Certified by	CE

Features

Drainers number	No drainer
Product reversibility	No

Faucet ledge	No
Strainer assembly included	No
Strainer Assembly	No waste kit
Overflow	No
Number of faucet holes	No faucet hole
Soap dispenser hole	No