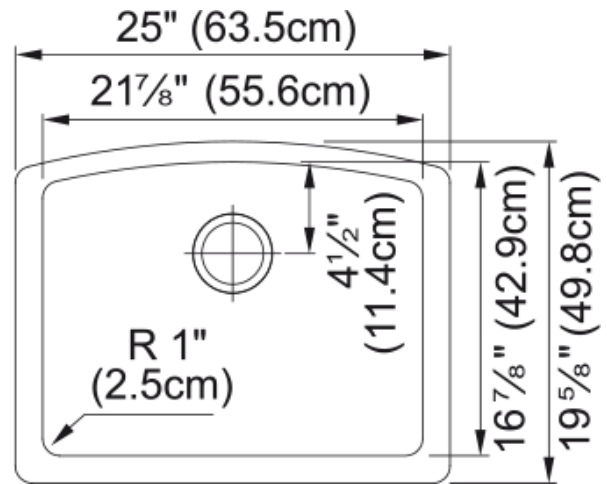


## Ellipse Undermount Sink - ELG11022PWT | 125.0637.083



25-in. x 19.6-in. Polar White Granite Undermount Single Bowl Kitchen Sink. Ellipse granite sinks are durable and resistant to scratches, stains and heat. The integrated antimicrobial Sanitized technology helps reduce odors and ensures safe protection against bacteria and mildew in your sink.

### Aspect

Sink type	Sink
Type of material	Granite
Number of bowls	1
Color	Polar white
Surface finish	None

### Product Dimensions

Length (right to left)	25
Width (front to back)	19.638
Large bowl size: right to left	21.85
Large bowl size: front to back	16.89
Large bowl: depth	9.016

### Installation

Minimum cabinet size	27"
----------------------	-----

### Product specifications

Installation type	Undermount
Drain hole	3 1/2"
Position of drainer	No drainer

### Product identification

Product brand	FRANKE
Product family	Smart
Collection	Ellipse
Certified by	CE

### Features

Drainers number	No drainer
Product reversibility	No
Faucet ledge	No
Strainer assembly included	No

Strainer Assembly	No waste kit
Overflow	No
Number of faucet holes	No faucet hole
Soap dispenser hole	No