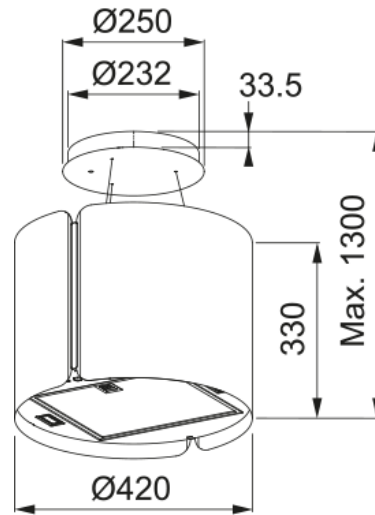


HOOD FSMS F42 SS/BK MATT/2 | 345.0654.870



Smart Suspended, FSMS F42 SS/BK MATT Stainless Steel Hood. Sleek and minimalist styling. A lamp lookalike hood suitable for an island kitchen with the latest quiet motor. Hangs from 3 wires. Plug in carbon filter - easy to change.

Product Information

Hood category	Suspended
Finish	Stainless Steel/Black Matt

Dimensions

Width in mm	420.0
Diam. air outlet	150

Energy specifications

Plug type	No plug
Annual energy consumption AEC	55.8
F. dynamic efficiency class	A
Light Efficiency Class	A
Grease filtering efficiency cl	C
Motor voltage	220-240V 50-60Hz
Motor Gr comm.name	SP A+
Number of motor	1

Installation

Installation	Island
--------------	--------

Product specifications

Air quality sensor	No
Energy efficiency class	A
Not return valve	No
Back Outlet	No
Zero Drip	No

Product identification

Product brand	FRANKE
Product family	Smart
Model range	SUSPENDED SMART
Dimming Led	No

Lower Chimney type	N/P
Upper chimney type	N/P
Blower tech.name	D39
Properties	
Number of lamp	2
Type of light	Led S2000 3000K
Remote control	No
Waterproof	No
Technical UI Type	Push button
Speed number	3+i
Speed setting	No
24h	No
Delay	No
Sensor self start	No
WI-FI	No
Filter typology	Cassette
Type of filter	Aluminium
Charcoal filter	Yes

Performance

Speed	1	2	3	BOOST
Flow (m ³ h)	270.0	410.0	580.0	740.0
Press. max	450.0	540.0	570.0	580.0
Power (Watt)	150.0	200.0	240.0	250.0
Noise level (db)	53.0	59.0	66.0	70.0
Capac_IEC_inten	740.0			
Capacity IEC max	580.0			
Capac_IEC_min	270.0			
Noiselevel intensive	70.0			
Noiselevel max	66.0			
Noiselevel min	53.0			