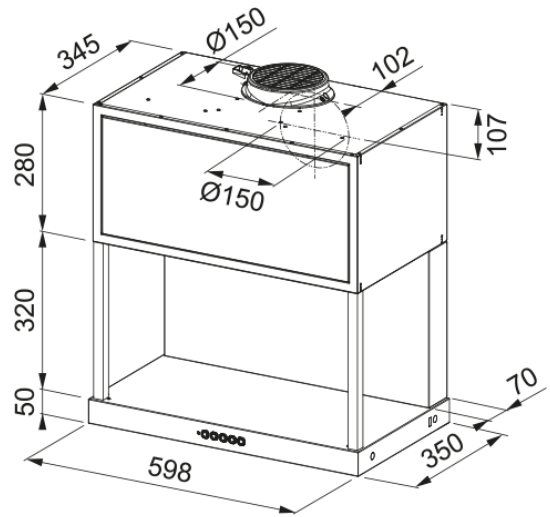


# HOOD FMA MODULAR F60 BK MATT FRANKE | 335.0706.646



HOOD FMA MODULAR F60 BK MATT FRANKE

## Product Information

|               |                  |
|---------------|------------------|
| Hood category | Design           |
| Finish        | Black Extra Matt |

## Dimensions

|                  |       |
|------------------|-------|
| Width in mm      | 600.0 |
| Diam. air outlet | 150   |

## Energy specifications

|                                |                  |
|--------------------------------|------------------|
| Plug type                      | EU               |
| Annual energy consumption AEC  | 52.1             |
| F. dynamic efficiency class    | A                |
| Light Efficiency Class         | A                |
| Grease filtering efficiency cl | C                |
| Motor voltage                  | 220-240V 50-60Hz |
| Motor Gr comm.name             | SP A+            |
| Number of motor                | 1                |

## Installation

|              |      |
|--------------|------|
| Installation | Wall |
|--------------|------|

## Product specifications

|                         |                |
|-------------------------|----------------|
| Air quality sensor      | No             |
| Energy efficiency class | A              |
| Not return valve        | Yes            |
| Back Outlet             | Yes            |
| Zero Drip               | No             |
| UI Type                 | Touch on metal |
| Lamp Type               | LED bar        |

## Product identification

|                |        |
|----------------|--------|
| Product brand  | FRANKE |
| Product family | Maris  |

|                   |                    |
|-------------------|--------------------|
| Model range       | MARIS              |
| Blower tech.name  | D39                |
| <b>Properties</b> |                    |
| Number of lamp    | 1                  |
| Type of light     | Flush Led Bar L450 |
| Remote control    | No                 |
| Waterproof        | No                 |
| Technical UI Type | Touch metal        |
| Speed number      | See setting file   |
| Speed setting     | 3+i                |
| 24h               | No                 |
| Delay             | No                 |
| Sensor self start | No                 |
| WI-FI             | No                 |
| Filter typology   | Cassette           |
| Type of filter    | Aluminium          |
| Charcoal filter   | Yes                |

### Performance

| Speed                   | 1     | 2     | 3     | BOOST |
|-------------------------|-------|-------|-------|-------|
| Flow (m <sup>3</sup> h) | 290.0 | 440.0 | 620.0 | 720.0 |
| Press. max              | 480.0 | 540.0 | 570.0 | 590.0 |
| Power (Watt)            | 150.0 | 200.0 | 240.0 | 250.0 |
| Noise level (db)        | 48.0  | 57.0  | 64.0  | 68.0  |