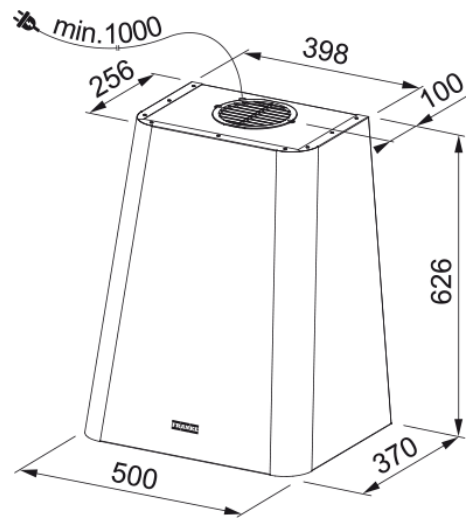


Smart FSMD 508 WH | 335.0528.005



FSMD 508 White, 2 Year Warranty.

Product Information

Hood category	Design
Finish	Cream White

Dimensions

Width in mm	500.0
Diam. air outlet	150

Energy specifications

Plug type	EU
Annual energy consumption AEC	48.2
F. dynamic efficiency class	A
Light Efficiency Class	A
Grease filtering efficiency cl	D
Motor voltage	220-240V 50-60Hz
Motor Gr comm.name	SP 600 A+
Number of motor	1

Installation

Installation	Wall
--------------	------

Product specifications

Air quality sensor	No
Energy efficiency class	A
Not return valve	No
Back Outlet	No
Zero Drip	No
UI Type	Rotative
Lamp Type	LED bar

Product identification

Product brand	FRANKE
Product family	Smart

Model range	SMART DECO
Lower Chimney type	N/P
Upper chimney type	N/P
Blower tech.name	D39
Properties	
Number of lamp	1
Type of light	Led Bar Slim 3000K
Remote control	No
Waterproof	No
Technical UI Type	Push&Pull Rotative
Speed number	3
Speed setting	No
24h	No
Delay	No
Sensor self start	No
WI-FI	No
Filter typology	Cassette
Type of filter	Aluminium
Charcoal filter	Yes

Performance

Speed	1	2	3
Flow (m ³ h)	270.0	370.0	630.0
Press. max	410.0	490.0	560.0
Power (Watt)	150.0	200.0	250.0
Noise level (db)	47.0	54.0	65.0