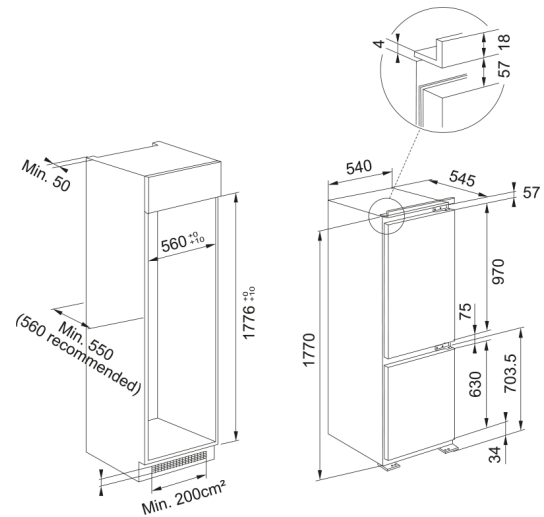


REFRIGERATOR FCB 320 TNF NE E | 118.0696.811



Refrigerator FCB 320 TNF NE F

Product Information

Installation type	Built-in
Color	White

Dimensions

Width: front to back	540.0
Height overall	1770.0
Depth Overall	545.0

Energy specifications

Voltage	220-240 V
Frequency (Hz)	50

Product specifications

Type	BI Combi Bottom
Energy efficiency class	E
Bottle balcony	Yes
Bottle rack	Yes
Cold Zone	Yes
Dairy Compartment	Yes
Door reversibility	Yes
EasyFrost Technology	No
Eggs tray	Yes
Freezing capacity KG/24h	7
Number of fridge adj Balconies	3
Number of fridge shelves	3
Ice tray	Yes
Light position	Top
No frost system	Yes, Total No Frost
Number of freezing drawers	3
Number of Fresh Zone drawer	1

Packaging Depth	608.0
Packaging Height	1840.0
Packaging Width	580.0
Type of light	LED
Width Cabinet in cm	58
Eggs tray color	Transparent
Model	FCB 320 TNF NE E
Functions	Fast freeze
Functions	Door open alarm
Functions	Freezer temperature setting
Functions	Fridge temperature setting
Surface Finish Inside Fridge	White
Product identification	
Product brand	FRANKE
Product family	Maris
Properties	
Defrost	Yes
Capacity net in litre	250
Net capacity freezer in liters	68
Net capacity fridge in liters	182
Fast cooling option	No
Fast freezing option	Yes
Noise level (dBA)	34
Climate Class	SN,T