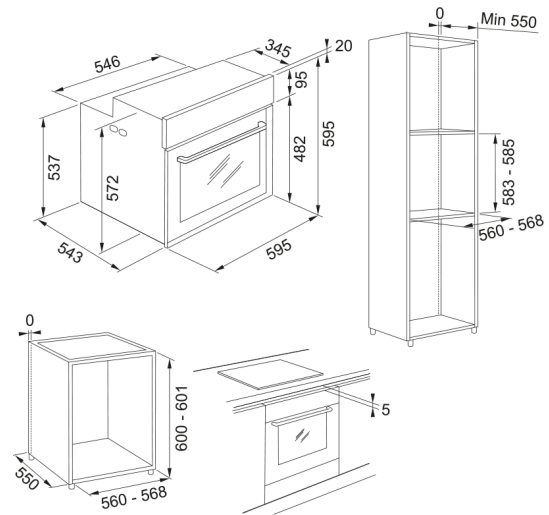


Oven el. FMY 99 HS BK | 116.0613.707



Mythus Steam Oven, FMY 99 HS BK. Black / Black Glass. Full Steam Multifunction Oven. Full touch multicolour TFT display. 73 litre capacity. Telescopic guides on 1 level. Functions: 19 functions plus 60 CookAssist functions and 15 Special functions. Smooth2close system allows you to open and close the oven door gently and safely. Steaming function enables you to cook healthy and tasty dishes with a reduced fat content. Multicooking function to cook up to 4 dishes simultaneously thanks to optimal heat distribution. Energy Class A+.

Product Information

Oven type	Electric
Type	Built-in
Color	Black

Dimensions

Width: front to back	595.0
Depth Overall	564.0
Height overall	595.0

Energy specifications

Rated power	3650.0
Voltage	220-240 V
Frequency (Hz)	50

Product specifications

Cleaning	Steam cleaning
Steam	full steam
Energy efficiency class	A+
Turnspit	No
Cookassist	Baguettes
Cookassist	Big bread
Cookassist	Rolls
Cookassist	Sandwich loaf in tin
Cookassist	Fruit filled pie
Cookassist	Choux pastry
Cookassist	Cookies
Cookassist	Croissants
Cookassist	Strudel
Cookassist	Tart in tin

Cookassist	Sponge cake in tin
Cookassist	Fresh Lasagna
Cookassist	Frozen Lasagna
Cookassist	Fresh Fish fillets
Cookassist	Frozen Fish fillets
Cookassist	Grilled Gratin Mussels
Cookassist	Grillowane krewetki królewskie
Cookassist	Grilled Scallops
Cookassist	Grilled Shrimps
Cookassist	Steamed Fish fillets
Cookassist	Steamed Frozen fillets
Cookassist	Steamed Gratin scallops
Cookassist	Steamed Mussels
Cookassist	Steamed Octopus
Cookassist	Steamed Prawns
Cookassist	Steamed Shrimps
Cookassist	Steamed Squid
Cookassist	Beef Hamburger
Cookassist	RoastBeef
Cookassist	Chicken Fillet - Breast
Cookassist	Roast Chicken
Cookassist	Kebab
Cookassist	Sausages & Wurstel
Cookassist	Roast Pork
Cookassist	Roast Ribs
Cookassist	Steamed Chicken fillets
Cookassist	Steamed Turkey fillets
Cookassist	Pizza frozen
Cookassist	Pizza thick
Cookassist	Pizza thin
Cookassist	Brown rice
Cookassist	White rice
Cookassist	Wholegrain rice
Cookassist	Barley
Cookassist	Millet
Cookassist	Quinoa
Cookassist	Spelt
Cookassist	Salty Cakes
Cookassist	Gratin Broccoli
Cookassist	Gratin Cauliflowers
Cookassist	Gratin Other vegetables
Cookassist	Gratin Peppers
Cookassist	Gratin Potatoes
Cookassist	Gratin Tomatoes
Cookassist	Roasted Other vegetables
Cookassist	Roasted Potatoes
Cookassist	Roasted Stuffed vegetables

Cookassist	Steamed Broccoli
Cookassist	Steamed Cauliflowers
Cookassist	Steamed Peas
Cookassist	Steamed Potatoes
Cookassist	Steamed Potatoes small
Cookassist	Steamed frozen Peas
Cookassist	Steamed fruits Whole
Door frame	slim bottom stripe
Number of door glasses	3.0
Color of handle	black matt
Manual functions	Convection Bake
Manual functions	Convenience
Manual functions	Conventional
Manual functions	Defrost
Manual functions	Eco Forced Air
Manual functions	Fast Preheating
Manual functions	Forced Air
Manual functions	Forced Air + Steam
Manual functions	Frozen Cook
Manual functions	Grill
Manual functions	Keep warm
Manual functions	Maxi Cooking
Manual functions	Multicooking
Manual functions	Pure Steam
Manual functions	Rising
Manual functions	Steam Cleaning
Manual functions	Turbo Grill
Number of functions	16.0
Packaging Depth	650.0
Packaging Height	690.0
Packaging Width	630.0
Panel frame	1 stripe
Power cord length	900.0
Display	yes
Door glass type	dark grey (fumè)
Panel material	GLASS
Touch display	yes
Product identification	
Product brand	FRANKE
Product family	Mythos
Model range	Mythos
Properties	
Volume liter	73.0
Technical UI Type	Electronic
Display color	Multicolor
Timer	Programmable
Type of time control	Electronic

Type of door hinges	Soft closing
Telescopic shelves	1 level partial
Cool door	yes