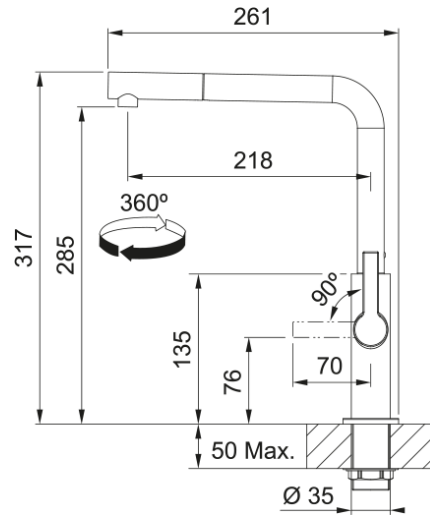


# Tap Maris Slim L Pull Out HP CHR | 115.0728.393



Tap Maris Slim, L-spout pull out, side lever, high pressure, chrome

## Product Information

Spout version	L - spout
Color	Chrome
Type of material	Brass
Flexible pullout hose material	Nylon black
Shower material	Brass

## Dimensions

Height overall	317.0
Tap hole diameter	35 mm
Cartridge dimension	25 mm

## Installation

Fixation type	Shank
Water supply hose connection	3/8"
Water supply hose length	470 mm

## Product specifications

Pressure	High pressure
Version	Pull out
Tap operation	Side lever
Tap rotation	360°
Mixed water flowrate @3bars	8.3

## Product identification

Product brand	FRANKE
Product family	Maris
Model range	Maris Slim

## Properties

Eco water saving	Yes
Type of aerator	Laminar