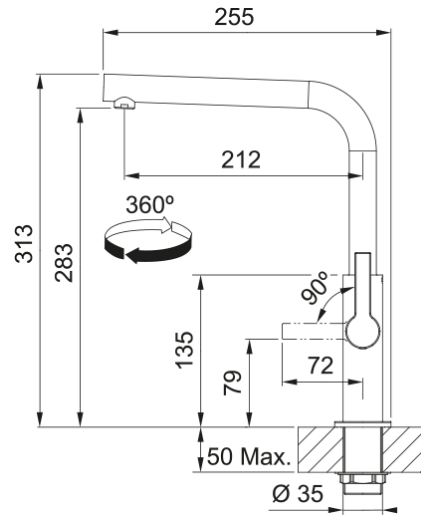


# Tap Maris Slim L Swivel side HP CHR | 115.0728.390



Tap Maris Slim, L-spout swivel, side lever, high pressure, chrome

## Product Information

Spout version	L - spout
Color	Chrome
Type of material	Brass

## Dimensions

Height overall	313.0
Tap hole diameter	35 mm
Cartridge dimension	25 mm

## Installation

Fixation type	shank
Water supply hose connection	3/8"
Water supply hose length	470 mm

## Product specifications

Pressure	High Pressure
Version	Swivel
Tap operation	side lever
Tap rotation	360°
Mixed water flowrate @3bars	10.2

## Product identification

Product brand	FRANKE
Product family	Maris
Model range	Maris Slim

## Properties

Eco water saving	yes
Type of aerator	Laminar