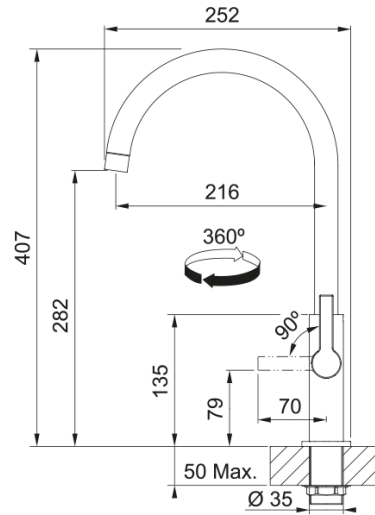


Tap Maris Slim J Swivel side HP CHR | 115.0728.384



Tap Maris Slim, J-spout swivel, side lever, high pressure, chrome

Product Information

| | |
|------------------|-----------|
| Spout version | J - spout |
| Color | Chrome |
| Type of material | Brass |

Dimensions

| | |
|---------------------|-------|
| Height overall | 407.0 |
| Tap hole diameter | 35 mm |
| Cartridge dimension | 25 mm |

Installation

| | |
|------------------------------|--------|
| Fixation type | shank |
| Water supply hose connection | 3/8" |
| Water supply hose length | 470 mm |

Product specifications

| | |
|-----------------------------|---------------|
| Pressure | High Pressure |
| Version | Swivel |
| Tap operation | side lever |
| Tap rotation | 360° |
| Mixed water flowrate @3bars | 10.2 |

Product identification

| | |
|----------------|------------|
| Product brand | FRANKE |
| Product family | Maris |
| Model range | Maris Slim |

Properties

| | |
|------------------|---------|
| Eco water saving | yes |
| Type of aerator | Laminar |