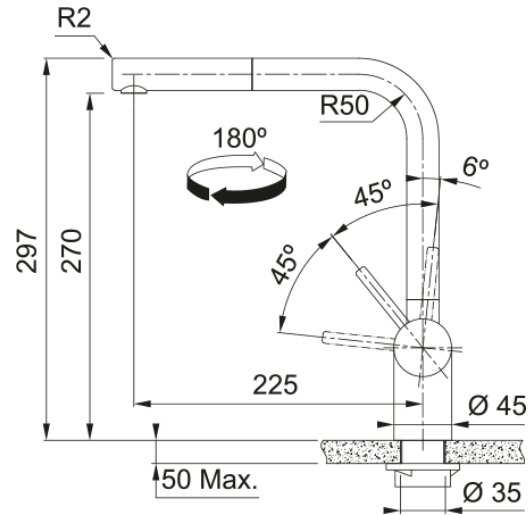


# Tap Atlas Neo Nozzle Side HP CP CN | 115.0667.606



Tap, Atlas Nozzle, side lever, high pressure, Copper, Chinese label

## Product Information

Spout version	L - spout
Color	Copper
Type of material	Stainless steel 304
Flexible pullout hose material	Nylon grey
Shower material	stainless steel

## Dimensions

Tap hole diameter	35 mm
Cartridge dimension	35 mm
Height overall	297.0

## Installation

Fixation type	shank
Water supply hose connection	1/2"
Water supply hose length	450 mm

## Product specifications

Pressure	High Pressure
Version	Pull out
Tap operation	side lever
Tap rotation	180°

## Product identification

Product brand	FRANKE
Product family	Maris
Model range	Atlas Neo

## Properties

Eco water saving	no
Type of aerator	Laminar