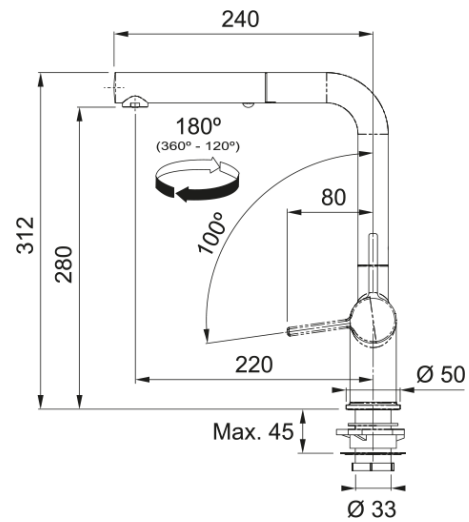


Tap Active L Twist pull out 2 jets DS | 115.0653.505



Tap Active L Twist pull out 2 jets decor steel

Product Information

Spout version	L - spout
Color	Decor steel
Type of material	Brass
Flexible pullout hose material	Nylon black
Shower material	brass

Dimensions

Height overall	312.0
Tap hole diameter	35 mm
Cartridge dimension	35 mm

Installation

Fixation type	shank
Water supply hose connection	3/8"
Water supply hose length	450 mm

Product specifications

Pressure	High Pressure
Version	Spray
Tap operation	side lever
Tap rotation	180°
Mixed water flowrate @3bars	7.5

Product identification

Product brand	FRANKE
Product family	Maris
Model range	Active Twist

Properties

Eco water saving	yes
Type of aerator	Laminar