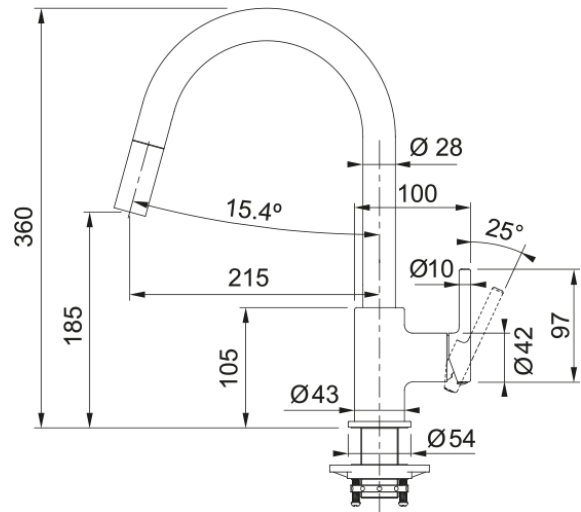


# Tap Lina Pull Out Nozzle Side HP CHR CN | 115.0635.337



Tap Lina Pull Out Nozzle Side Lever HP CHR CN

## Product Information

Spout version	J - spout
Color	Chrome
Type of material	Brass
Flexible pullout hose material	Nylon black
Shower material	ABS plastic

## Dimensions

Height overall	360.0
Tap hole diameter	35 mm
Cartridge dimension	35 mm

## Installation

Fixation type	shank
Water supply hose connection	3/8"
Water supply hose length	450 mm

## Product specifications

Pressure	High Pressure
Version	Pull out
Tap operation	side lever
Tap rotation	150°

## Product identification

Product brand	FRANKE
Product family	Smart
Model range	Lina

## Properties

Eco water saving	no
Type of aerator	Honeycomb