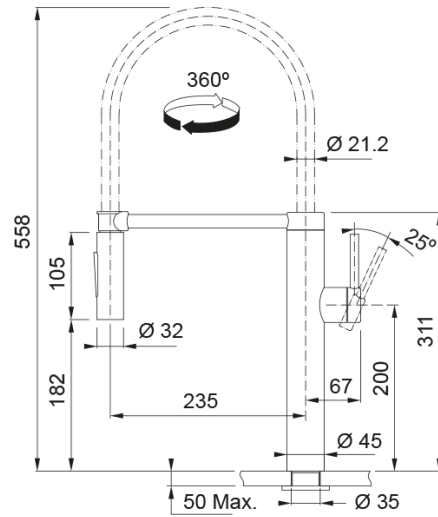


Tap Pescara XL semi-pro side HP SS Europ | 115.0472.959



Tap Pescara XL, semi-professional, side lever, high pressure, stainless steel, Europe

Product Information

Spout version	S - semi-professional
Color	Stainless Steel
Type of material	Stainless steel 304
Flexible pullout hose material	metal
Shower material	ABS plastic

Dimensions

Tap hole diameter	35 mm
Cartridge dimension	35 mm
Height overall	550.0

Installation

Fixation type	shank
Water supply hose connection	3/8"
Water supply hose length	450 mm

Product specifications

Pressure	High Pressure
Version	Spray
Tap operation	side lever
Tap rotation	360°

Product identification

Product brand	FRANKE
Product family	Mythos
Model range	Pescara

Properties

Eco water saving	no
Type of aerator	Honeycomb