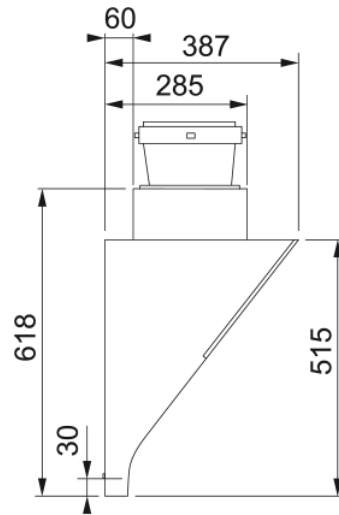


# Hood CXW-220-FC921MSEA | 330.0539.171



Hood CXW-220-FC921M, For sea market

---

## Product Information

Hood category	Vertical
Finish	BLACK GLASS+STAINLESS STEEL

## Dimensions

Width in mm	900.0
-------------	-------

## Energy specifications

Plug type	No plug
Motor voltage	220-240V-50Hz
Number of motor	1

## Installation

Installation	Wall
--------------	------

## Product specifications

Energy efficiency class	N/A
-------------------------	-----

## Product identification

Product brand	FRANKE
Product family	None
Model range	CXW

## Properties

Number of lamp	2
Type of filter	Stainless steel

## Performance

Speed

3