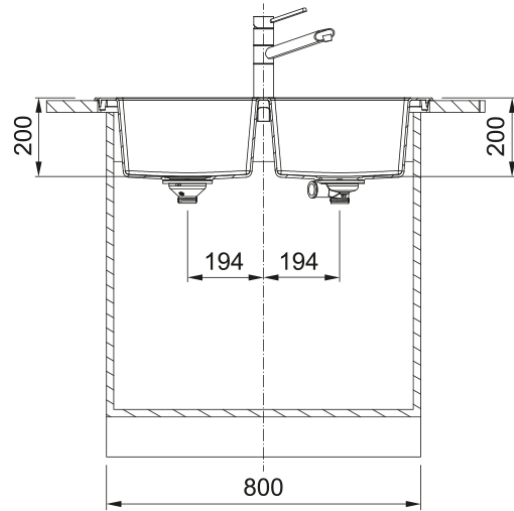


S2D 620-86 3 1/2" NWK REV TL NTH 500 CB | 143.0620.143



Sirius 2 620-860 (500), 860x500mm, 3 1/2", without Waste Kit, with overflow, No Tap Holes, carbon black

Product Information

Sink type	Bowl (no drainer)
Type of material	Tectonite
Number of bowls	2
Color	Carbon black
Finish	None

Dimensions

External size: right to left	860.0
External size: front to back	500.0
Bowl 1 size: right to left	349.0
Bowl 1 size: front to back	399.0
Bowl 1: depth	200.0
Bowl 2 size: right to left	349.0
Bowl 2 size: front to back	399.0
Bowl 2: depth	200.0
Cutout inset: right to left	844.0
Cutout inset: front to back	484.0

Installation

Minimum cabinet size	80 cm
----------------------	-------

Product specifications

Installation type	Inset
Waste outlet	3 1/2"
Position of drainer	No drainer
Bowl 1: accessory ledge	no
Bowl 2: accessory ledge	No

Product identification

Product brand	FRANKE
Product family	Smart

Model range	Sirius 2
Approval logo	CE
Approval logo	UKCA
Properties	
Drainers number	No drainer
Product reversibility	yes
Tap ledge	Yes
Waste kit included	no
Waste kit type	no wastekit
Siphon included	no
Number of tap holes	None
Soap dispenser hole	no