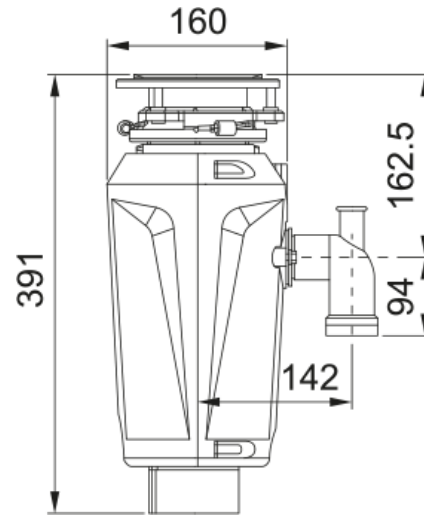


Food waste disposer Slim 75 PHIL | 134.0721.251



Food waste disposer Slim 75, motor 0.75 HP, 2700 rpm, continuous feed, insulated shell, vibrant red, matt finish, integrated airswitch connection, air control button included, cord included, 220V

Product Information

Product type Food waste disposer

Energy specifications

Voltage 220-240 V

Product identification

Product brand FRANKE

Product family Mythos

Model range Elite Slimline

Properties

Horse power waste disposer 3/4 HP

Motor speed 2700.0

Waste disposer motor type Permanent magnet

Feed type Continuous