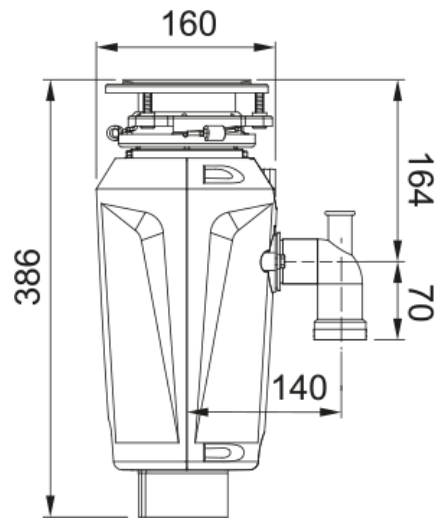


Food Waste Disposer SLIM 125 (1,25 HP) | 134.0715.094



Food Waste Disposer SLIM 125, 220V, 1-1/4HP

Product Information

Product type Food waste disposer

Energy specifications

Voltage 220-240 V

Product identification

Product brand FRANKE

Product family Mythos

Model range Elite Slimline

Properties

Horse power waste disposer 1-1/4 HP

Motor speed 2800.0

Waste disposer motor type Permanent magnet

Feed type Continuous