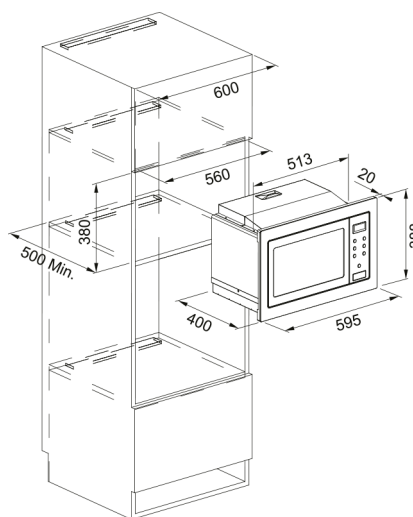


Microwave FSM 25 MW XS | 131.0627.471



Microwave FSM 25 MW XS

Product Information

Color	Inox
Type	Microwave and grill
Opening mode	Push button
Accessories	315 mm Glass turn table
Accessories	Grill grid
Current of Product	16.0
Display type	LED
Door opening	Lateral
Type of Grill	tubular
Microwaves max Output Power	900.0
Packaging Depth	566.0
Packaging Height	484.0
Packaging Width	684.0
Panel frame	N/A
Power cord length	1000.0
Rated power	1450.0

Dimensions

Width: front to back	595.0
Height overall	388.0
Depth Overall	400.0

Energy specifications

Voltage	230 V
Frequency (Hz)	50

Installation

Installation type hob	Built-in
-----------------------	----------

Product specifications

Cavity type	Stainless steel
-------------	-----------------

Door frame	N/A
Type of door hinges	Standard
Model	FSM 25 MW XS
Safety lock	Yes
Timer	Yes
Product identification	
Product brand	FRANKE
Product family	Smart
Model range	SMART
Properties	
Technical UI Type	Electronic
Cavity capacity	25.0
Finish door	GLASS / SS
Display color	White