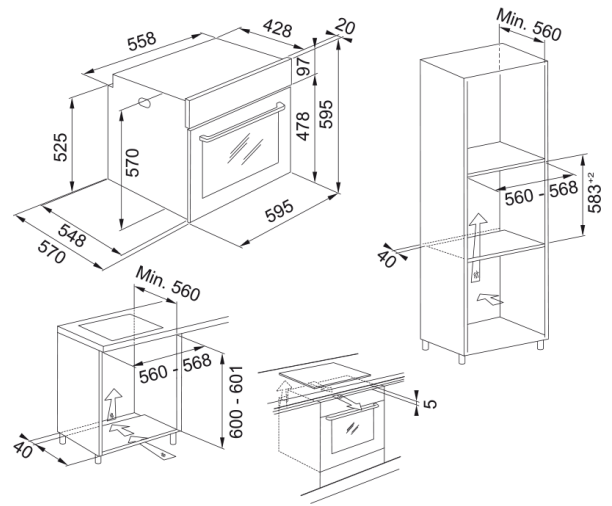


Oven el. FSL 86 H XS | 116.0609.446



Oven el. FSL 86 H XS

Product Information

Oven type	Electric
Type	Built-in
Color	Inox

Dimensions

Width: front to back	595.0
Depth Overall	570.0
Height overall	595.0

Energy specifications

Rated power	2600.0
Voltage	220-240 V
Frequency (Hz)	50-60

Product specifications

Cleaning	Steam cleaning
Steam	No
Energy efficiency class	A
Turnspit	No
Auto functions	N/A
Color of knobs	silver
Door frame	bottom stripe
Number of door glasses	2.0
Color of handle	stainless steel
Manual functions	Bottom heating
Manual functions	Bread
Manual functions	Convection Bake
Manual functions	Conventional
Manual functions	Defrost
Manual functions	Forced Air

Oven el. FSL 86 H XS | 2026-07-07



Manual functions	Grill
Manual functions	Steam Cleaning
Manual functions	Turbo Grill
Number of functions	8.0
Packaging Depth	650.0
Packaging Height	670.0
Packaging Width	640.0
Power cord length	1000.0
Type of knobs	protruding
Display	yes
Door glass type	float
Panel material	STAINLESS STEEL
Product identification	
Product brand	FRANKE
Product family	Smart
Model range	Linear
Properties	
Volume liter	71.0
Technical UI Type	Electromechanic
Display color	Red
Number of knobs	2.0
Timer	Programmable
Type of time control	Electronic
Type of door hinges	Standard
Telescopic shelves	Optional
Cool door	no