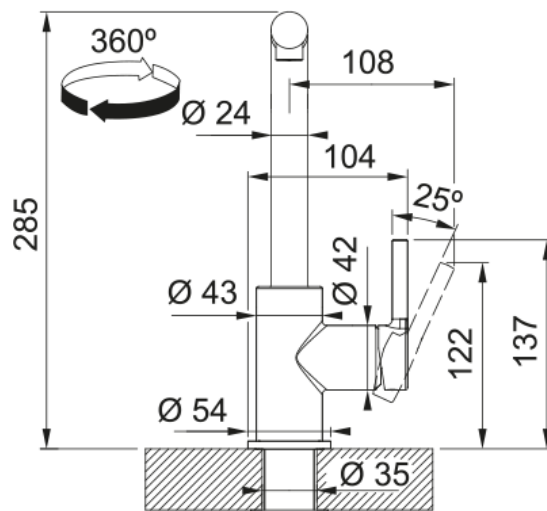


Tap Lina L pull out nozzle side HP DS CN | 115.0703.327



Tap Lina L pull out nozzle side HP Decor Steel CN

Product Information

Spout version	L - spout
Color	Decor steel
Type of material	Brass
Flexible pullout hose material	Nylon grey
Shower material	stainless steel

Dimensions

Tap hole diameter	35 mm
Cartridge dimension	35 mm
Height overall	274.0

Installation

Fixation type	shank
Water supply hose connection	1/2"
Water supply hose length	450 mm

Product specifications

Pressure	High Pressure
Version	Pull out nozzle
Tap operation	side lever
Tap rotation	360°

Product identification

Product brand	FRANKE
Product family	Smart
Model range	Lina

Properties

Eco water saving	no
Type of aerator	Honeycomb