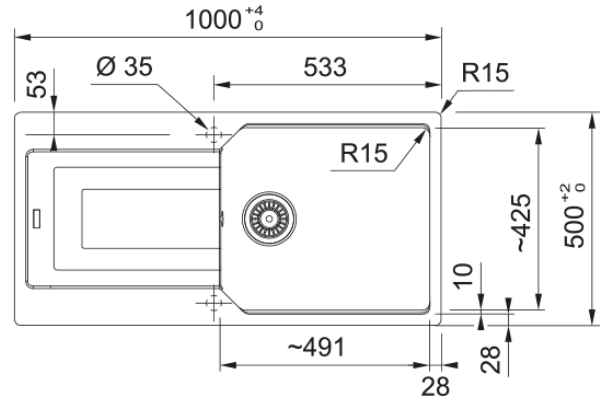


UBG 611-100 3 1/2" NWK REV WRO GSC ON | 114.0680.459



UBG 611-100, Urban, granite, Grey sliding clip, onyx, inset, 1 bowl, 1 drainer, bowl 1 size right to left: 490mm, bowl 1 size front to back: 425mm, bowl 1 depth: 220mm, external size right to left: 1,000mm, external size front to back: 500mm, 3 1/2", no waste kit, reversible, 2 _PRE_DRILLED, with overflow

Product Information

Sink type	Sink (w/ drainer)
Type of material	Granite
Number of bowls	1
Color	Onyx
Finish	None

Dimensions

External size: right to left	1000.0
External size: front to back	500.0
Bowl 1 size: right to left	490.0
Bowl 1 size: front to back	425.0
Bowl 1: depth	220.0
Cutout inset: right to left	980.0
Cutout inset: front to back	480.0

Installation

Minimum cabinet size	60 cm
----------------------	-------

Product specifications

Installation type	Inset
Waste outlet	3 1/2"
Position of drainer	Reversible drainer
Active Twist Compatibility	Yes
Installation device	Clamp Bag

Product identification

Product brand	FRANKE
Product family	None
Model range	Urban
Approval logo	CE
Approval logo	UKCA

Properties

Drainers number	1
Product reversibility	yes
Tap ledge	Yes
Waste kit included	no
Waste kit type	no wastekit
Siphon included	no
Number of tap holes	2 - pre drilled
Soap dispenser hole	no