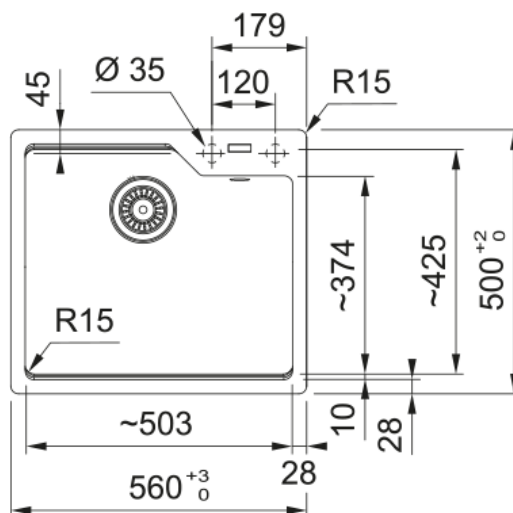


# UBG 610-50 3 1/2" NWK ND WRO TL GSC ST | 114.0680.392



UBG 610-50, Urban, granite, Grey sliding clip, stone grey, inset, 1 bowl, without drainer, bowl 1 size right to left: 503mm, bowl 1 size front to back: 425mm, bowl 1 depth: 230mm, external size right to left: 560mm, external size front to back: 500mm, 3 1/2", no waste kit, without drainer, 2\_PRE\_DRILLED, with overflow

## Product Information

Sink type	Bowl (no drainer)
Type of material	Granite
Number of bowls	1
Color	Stone grey
Finish	None

## Dimensions

External size: right to left	560.0
External size: front to back	500.0
Bowl 1 size: right to left	503.0
Bowl 1 size: front to back	425.0
Bowl 1: depth	230.0
Cutout inset: right to left	540.0
Cutout inset: front to back	480.0

## Installation

Minimum cabinet size	60 cm
----------------------	-------

## Product specifications

Installation type	Inset
Waste outlet	3 1/2"
Position of drainer	No drainer
Active Twist Compatibility	Yes
Installation device	Clamp Bag

## Product identification

Product brand	FRANKE
Product family	None
Model range	Urban
Approval logo	CE
Approval logo	UKCA

**Properties**

Drainers number	No drainer
Product reversibility	no
Tap ledge	Yes
Waste kit included	no
Waste kit type	no wastekit
Siphon included	no
Number of tap holes	2 - pre drilled
Soap dispenser hole	no