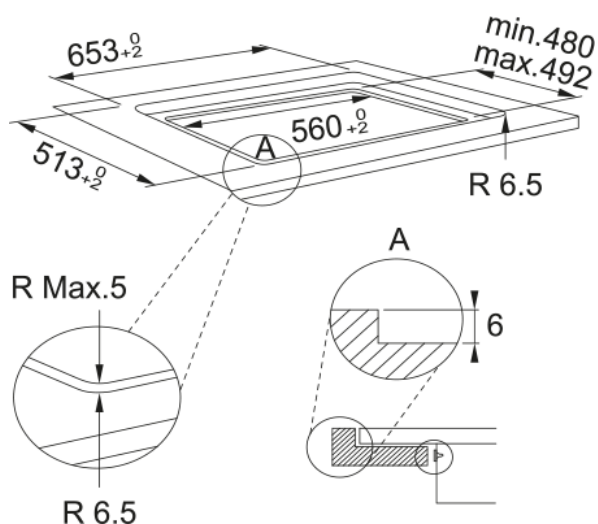
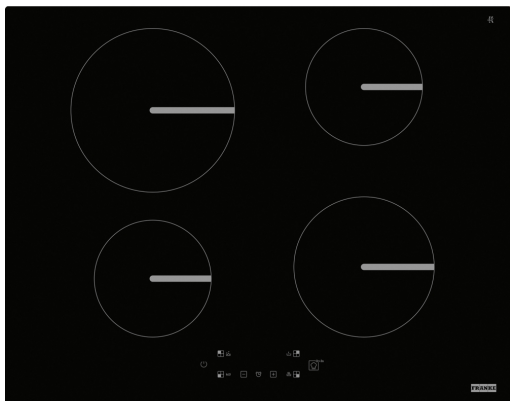


Hob induction FSM 654 I BK | 108.0606.107



Hob induction FSM 654 I BK

Product Information

Type	Electric
Technology	Induction vitroceramic
Color	Black
Finish	Glass
Power limitation	yes

Dimensions

Commercial dimension	60X50
Width overall	650.0
Cutout Depth	490.0
Cutout width	560.0
Packaging Depth	600.0
Packaging Width	855.0

Energy specifications

MAX booster nominal power (W)	3000.0
Total power (kW)	7.2
Voltage	220-240 V
Frequency (Hz)	50-60

Product specifications

Installation type hob	Standard&flush
Bridge zone	No
Flexi zone	No
Safety lock	Yes
Cookassist	Boiling
Cookassist	Keep warm
Cookassist	Melting
Cookassist	Simmering
Frame shape	Frameless

Glass dimension (mm)	650x510
Hob/hood connection	no
Power cord length	1200.0
Power management (kW)	2.5 - 4.0 - 6.0 - 7.2
Digit color	Red
Supply cord	Yes
B.power of h.zone front left(W)	1600
Diam. of h.zone front left(mm)	145
Power of h.zone front left (W)	1200
B.pow. of h.zone front right(W)	2100
Diam. of h.zone front right(mm)	180
Power of h.zone front right (W)	1800
B.power of h.zone rear left(W)	3000
Diam. of h.zone rear left(mm)	210
Power of h.zone rear left (W)	2100
B.power of h.zone rear right(W)	1600
Diam. of h.zone rear right(mm)	145
Power of h.zone rear right (W)	1200
Product identification	
Product brand	FRANKE
Product family	Smart
Model range	SMART
Properties	
Technical UI Type	Touch control
Number of heating zone	4
Type of heat. zone front left	Rounded
Type of heating zone rear left	Rounded
Type of heating zone rear right	Rounded
Type of heat. zone front right	Rounded
User interface	Direct touch - one central +/-
Timer	Yes
Dual zone	No
Oval zone	NO
FlexPro zone	no
Power level	9 + booster
Number of booster	4