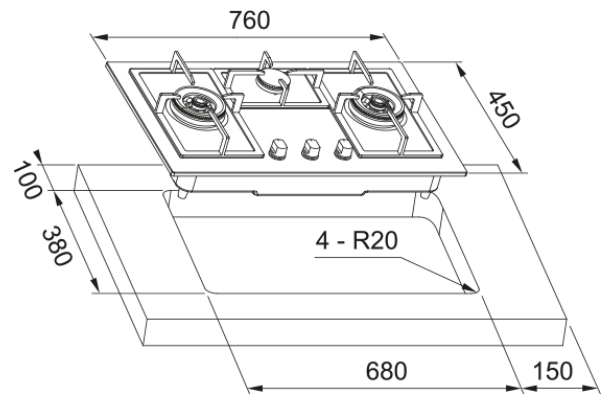


Hob Gas FS7326 3 burners LPG SEA | 106.0583.437



Hob Gas FS7326 3 burners LPG SEA Market

Product Information

Type	Gas
Technology	Gas on metal
Color	Stainless Steel
Finish	Stainless steel
Power limitation	yes

Dimensions

Commercial dimension	76x45
Cutout Depth	830.0
Cutout width	510.0
Packaging Depth	840.0
Packaging Width	520.0

Energy specifications

Total power (kW)	10.4
Frequency (Hz)	50-60

Product specifications

Installation type hob	Standard
Number of burners	3
Power of burner middle left(W)	4500
Power of burner middle right(W)	4500
Power of burner middle rear(W)	1400
Color of knobs	stainless steel
Hob/hood connection	no

Product identification

Product brand	FRANKE
Product family	None
Model range	ONYX

Properties

Technical UI Type	Knobs
Number of knobs	3,0
Type of burner middle left	Double crown
Type of burner middle right	Double crown
Type of burner middle rear	Double crown
User interface	Knobs
Timer	No