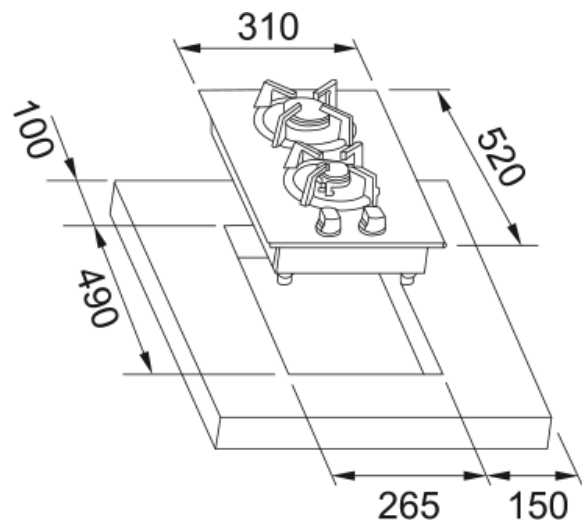
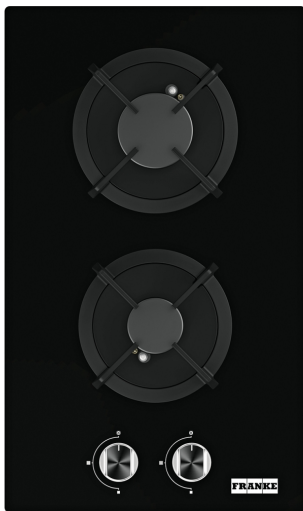


Gas hob FGH3216SEA Domino 2 burner glass | 106.0534.913



Gas hob FGH3216-SEA Domino Black glass 2 burner LPG

Product Information

Type	Gas
Technology	Gas on glass
Color	Black
Finish	Glass / SS
Power limitation	no

Dimensions

Commercial dimension	Special
Width overall	430.0
Cutout Depth	265.0
Cutout width	490.0
Packaging Depth	355.0
Packaging Width	570.0

Energy specifications

Total power (kW)	3.6
Frequency (Hz)	#N/A

Product specifications

Installation type hob	Standard
Number of burners	2
Color of knobs	stainless steel
Hob/hood connection	no

Product identification

Product brand	FRANKE
Product family	None
Model range	ONYX

Properties

Technical UI Type	Knobs
Number of knobs	2.0

.....
User interface

Knobs

Timer

No