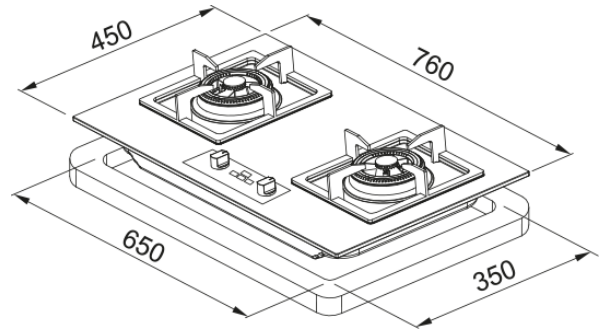
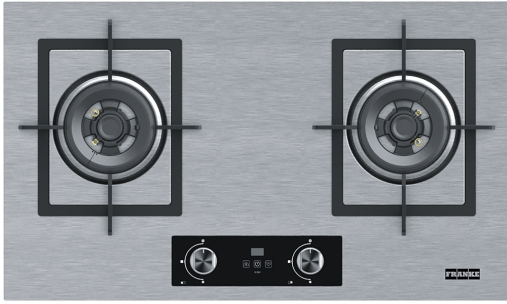


# Gas hob JZTFS7226SEA SS 2 burner LPG | 106.0534.899



Gas hob JZT-FS7226-SEA Stainless steel 2 burner LPG

## Product Information

Type	Gas
Technology	Gas on metal
Color	Stainless Steel
Finish	Stainless steel

## Dimensions

Commercial dimension	Special
Width overall	450.0
Cutout Depth	650.0
Cutout width	350.0
Packaging Depth	840.0
Packaging Width	520.0

## Energy specifications

Total power (kW)	10.0
Frequency (Hz)	#N/A

## Product specifications

Installation type hob	Standard
Number of burners	2
Color of knobs	stainless steel
Hob/hood connection	no

## Product identification

Product brand	FRANKE
Product family	None
Model range	ONYX

## Properties

Technical UI Type	Knobs
Number of knobs	2.0
User interface	Knobs

Timer

Yes