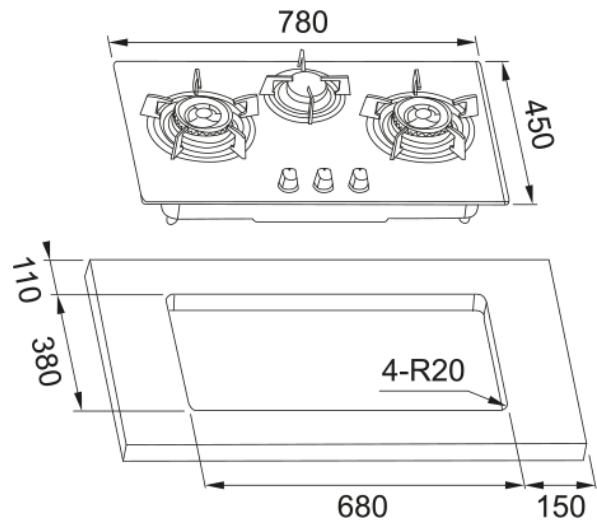
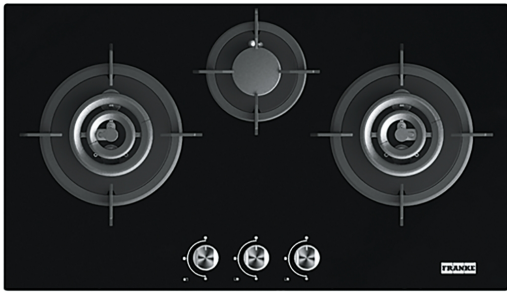


Gas hob FHG8318 Black glass 3 burner LPG | 106.0534.663



Gas hob FHG8318 Black glass 3 burner LPG

Product Information

Type	Gas
Technology	Gas on glass
Color	Black
Finish	Glass / SS
Power limitation	no

Dimensions

Commercial dimension	Special
Width overall	450.0
Cutout Depth	700.0
Cutout width	400.0
Packaging Depth	860.0
Packaging Width	520.0

Energy specifications

Total power (kW)	12.8
Frequency (Hz)	#N/A

Product specifications

Installation type hob	Standard
Number of burners	3
Color of knobs	stainless steel
Hob/hood connection	no

Product identification

Product brand	FRANKE
Product family	None
Model range	ONYX

Properties

Technical UI Type	Knobs
Number of knobs	3.0

.....
User interface

Knobs

Timer

No