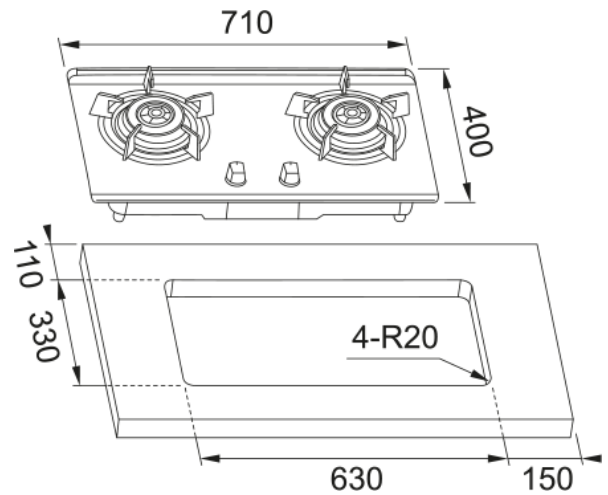
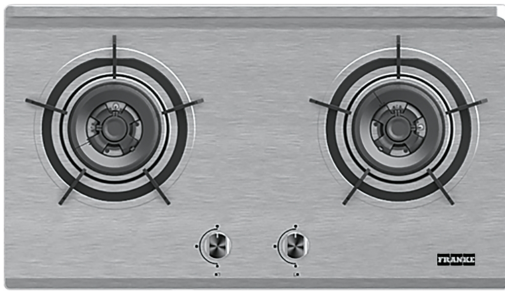


# Gas Hob FHS7212 Stainless steel 2 burner | 106.0530.869



Gas Hob FHS7212 Stainless steel 2 burner LPG

## Product Information

Type	Gas
Technology	Gas on metal
Color	Stainless Steel
Finish	Stainless steel
Power limitation	no

## Dimensions

Commercial dimension	Special
Width overall	380.0
Cutout Depth	630.0
Cutout width	330.0
Packaging Depth	450.0
Packaging Width	760.0

## Energy specifications

Total power (kW)	9.0
Frequency (Hz)	#N/A

## Product specifications

Installation type hob	Standard
Number of burners	2
Color of knobs	stainless steel
Hob/hood connection	no

## Product identification

Product brand	FRANKE
Product family	None
Model range	ONYX

## Properties

Technical UI Type	Knobs
Number of knobs	2.0

.....  
User interface

Knobs

Timer

No