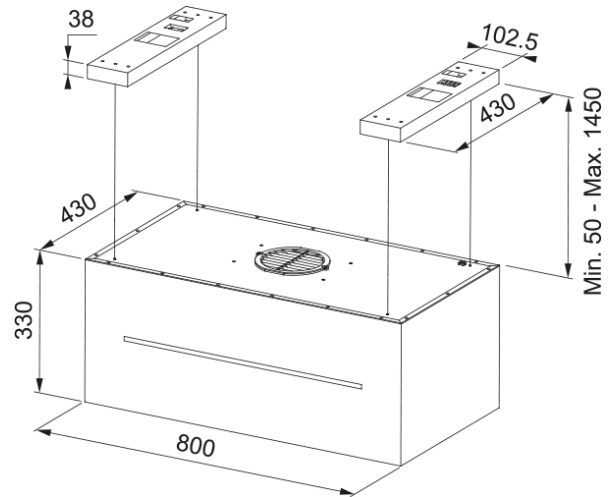


HOOD FMAS BK EXTRA MATT F80 KL FRANKE | 345.0698.564



HOOD FMAS BK EXTRA MATT F80 KL FRANKE

Product Information

Hood category Suspended

Finish Black Extra Matt

Dimensions

Width in mm 800.0

Diam. air outlet 150

Energy specifications

Plug type No plug

Annual energy consumption AEC 60.1

F. dynamic efficiency class A

Light Efficiency Class A

Grease filtering efficiency cl F

Motor voltage 220-240V 50-60Hz

Motor Gr comm.name SP A+

Number of motor 1

Installation

Installation Island

Product specifications

Air quality sensor No

Energy efficiency class A

Product identification

Product brand FRANKE

Product family Maris

Model range MARIS

Properties

Number of lamp 3

Lamp Type Flush Led Bar L600

Remote control Yes

Waterproof	No
UI Type	Touch metal
Speed number	See setting file
Speed setting	3+i
24h	No
Delay	No
Sensor self start	No
WI-FI	No
Filter typology	Cassette
Type of filter	Aluminium
Charcoal filter	Yes

Performance

Speed	1	2	3	BOOST
Flow (m ³ h)	290.0	420.0	580.0	740.0
Press. max	460.0	550.0	570.0	580.0
Power (Watt)	150.0	200.0	240.0	250.0
Noise level (db)	57.0	60.0	64.0	68.0