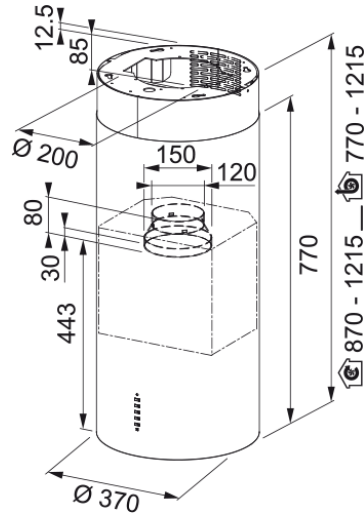


HOOD FTU PLUS 3707 I BK/2 FRANKE | 335.0588.180



HOOD FTU PLUS 3707 I BK/2 FRANKE

Product Information

Hood category	Design
Finish	Black Extra Matt

Dimensions

Width in mm	370.0
Diam. air outlet	150

Energy specifications

Plug type	No plug
Annual energy consumption AEC	54.2
F. dynamic efficiency class	A
Light Efficiency Class	A
Grease filtering efficiency cl	B
Motor voltage	220-240V 50-60Hz
Motor Gr comm.name	SP A+
Number of motor	1

Installation

Installation	Island
--------------	--------

Product specifications

Air quality sensor	No
Energy efficiency class	A

Product identification

Product brand	FRANKE
Product family	Maris
Model range	TUBE

Properties

Number of lamp	2
Lamp Type	Led S1001 4000K
Remote control	No

Waterproof	No
UI Type	Push button
Speed number	4
Speed setting	3+i
24h	No
Delay	No
Sensor self start	No
WI-FI	No
Filter typology	Cassette
Type of filter	Aluminium
Charcoal filter	Yes

Performance

Speed	1	2	3	BOOST
Flow (m ³ h)	280.0	400.0	570.0	700.0
Press. max	450.0	540.0	580.0	590.0
Power (Watt)	150.0	200.0	240.0	250.0
Noise level (db)	48.0	56.0	65.0	69.0