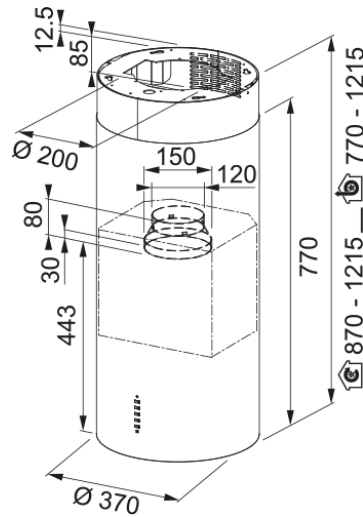


# HOOD FTU PLUS 3707 I BK/2 FRANKE | 335.0588.180



HOOD FTU PLUS 3707 I BK/2 FRANKE

## Product Information

Hood category	Design
Finish	Black Extra Matt

## Dimensions

Width in mm	370.0
Diam. air outlet	150

## Energy specifications

Plug type	No plug
Annual energy consumption AEC	54.2
F. dynamic efficiency class	A
Light Efficiency Class	A
Grease filtering efficiency cl	B
Motor voltage	220-240V 50-60Hz
Motor Gr comm.name	SP A+
Number of motor	1

## Installation

Installation	Island
--------------	--------

## Product specifications

Air quality sensor	No
Energy efficiency class	A
Not return valve	Yes
Back Outlet	Yes
Zero Drip	No
UI Type	Push button
Lamp Type	Round LED spotlight

## Product identification

Product brand	FRANKE
Product family	Maris

Model range	TUBE
Dimming Led	SEE SETTING FILE
Level dimmer setting	1
Lower Chimney type	Extractor
Upper chimney type	Recirculating
Blower tech.name	D39

### Properties

Number of lamp	2
Type of light	Led S1001 4000K
Remote control	No
Waterproof	No
Technical UI Type	Push button
Speed number	See setting file
Speed setting	3+i
24h	No
Delay	No
Sensor self start	No
WI-FI	No
Filter typology	Cassette
Type of filter	Aluminium
Charcoal filter	Yes

### Performance

Speed	1	2	3	BOOST
Flow (m <sup>3</sup> h)	280.0	400.0	570.0	700.0
Press. max	450.0	540.0	580.0	590.0
Power (Watt)	150.0	200.0	240.0	250.0
Noise level (db)	48.0	56.0	65.0	69.0