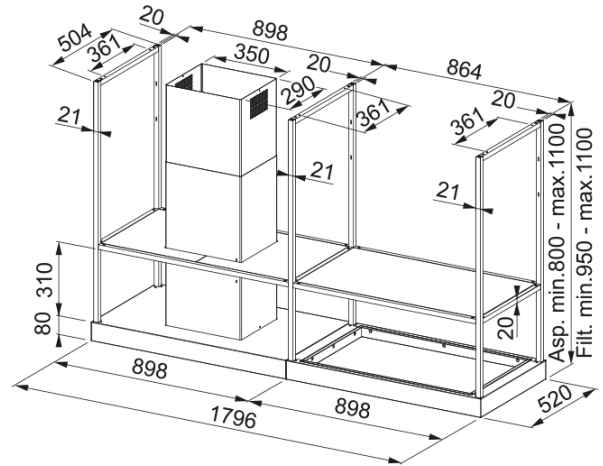


Mythos T-Shelf FMY BK MATT F180 | 325.0678.073



HOOD FMY BK MATT F180 FRANKE

Product Information

Hood category T-Shape

Finish Black Extra Matt

Dimensions

Width in mm 1800.0

Diam. air outlet 150

Energy specifications

Plug type No plug

Annual energy consumption AEC 62.5

F. dynamic efficiency class A

Light Efficiency Class A

Grease filtering efficiency cl C

Motor voltage 220-240V 50-60Hz

Motor Gr comm.name SP A+

Number of motor 1

Installation

Installation Island

Product specifications

Air quality sensor No

Energy efficiency class A

Not return valve No

Back Outlet No

Zero Drip No

UI Type Rotative

Lamp Type LED bar

Product identification

Product brand FRANKE

Product family Mythos

Model range	MYTHOS T-SHELF
Blower tech.name	D39
Properties	
Number of lamp	2
Type of light	Led Bar Slim 4000K
Remote control	No
Waterproof	No
Technical UI Type	Electronic rotative
Speed number	See setting file
Speed setting	3+i
24h	No
Delay	No
Sensor self start	No
WI-FI	No
Filter typology	Cassette
Type of filter	Aluminium
Charcoal filter	Yes

Performance

Speed	1	2	3	BOOST
Flow (m ³ h)	280.0	420.0	600.0	750.0
Press. max	450.0	540.0	580.0	590.0
Power (Watt)	150.0	200.0	240.0	250.0
Noise level (db)	50.0	59.0	66.0	70.0