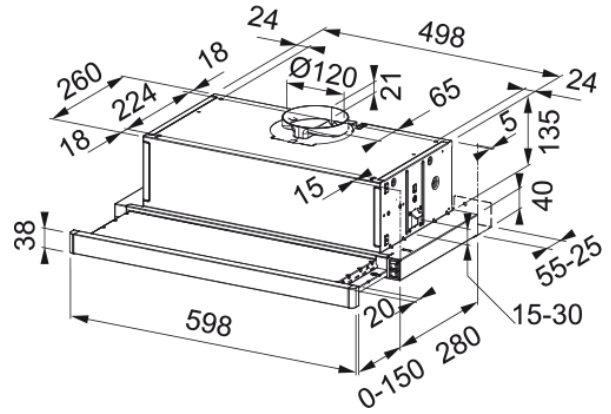


HOOD FSM 601 BK/GL FRANKE | 315.0489.958



HOOD FSM 601 BK/GL FRANKE

Product Information

Hood category Pull-out

Finish Black/Glass

Dimensions

Width in mm 600.0

Diam. air outlet 120

Energy specifications

Plug type EU

Annual energy consumption AEC 85.4

F. dynamic efficiency class E

Light Efficiency Class A

Grease filtering efficiency cl C

Motor voltage 220-240V 50-60Hz

Motor Gr comm.name D22 430

Number of motor 1

Installation

Installation Cabinet

Product specifications

Air quality sensor No

Energy efficiency class D

Product identification

Product brand FRANKE

Product family Smart

Model range FLEXA

Properties

Number of lamp 2

Lamp Type Led S1000 3000K

Remote control No

Waterproof	No
UI Type	PCB
Speed number	3
Speed setting	No
24h	No
Delay	No
Sensor self start	No
WI-FI	No
Filter typology	Cassette
Type of filter	Aluminium
Charcoal filter	No

Performance

Speed	1	2	3
Flow (m ³ h)	225.0	315.0	380.0
Press. max	200.0	220.0	240.0
Power (Watt)	85.0	100.0	140.0
Noise level (db)	58.0	67.0	69.0