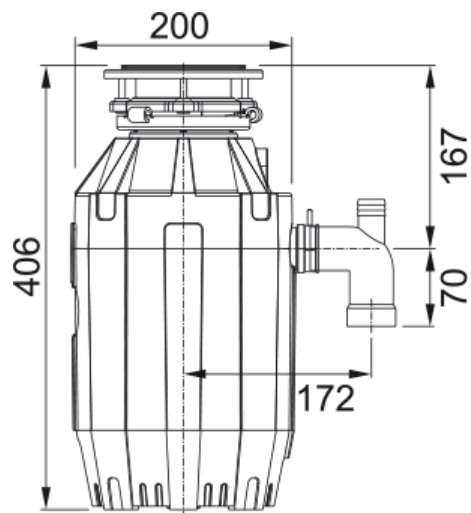


Food waste disposer TE-125 1-1/4 HP | 134.0473.237



Food waste disposer continuous TE-125 1-1/4 HP, Premium with built-in air switch (3-Bolt Mount), 220V.

Product Information

Product type Food waste disposer

Energy specifications

Voltage 220-240 V

Product identification

Product brand FRANKE

Product family Mythos

Model range Disposer

Properties

Horse power waste disposer 1-1/4 HP

Motor speed 2800.0

Waste disposer motor type Permanent magnet

Feed type Continuous