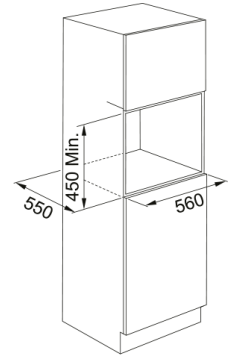
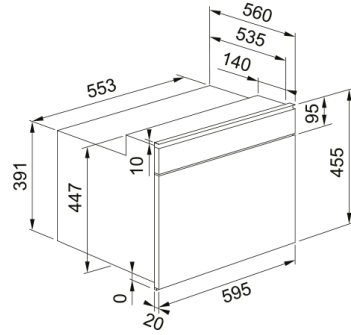


Mythos Combi Compact Oven FMY 45 MW BK | 131.0632.660



Mythos Combi Compact Oven FMY 45 MW BK. Black / Black Glass. Microwave-combi oven, push-pull knobs, LCD display, 40 litre capacity. Functions: 9 Functions, 7 Special functions and Cookassist with 10 preset recipes. Smooth2close system allows you to open and close the oven door gently and safely. A Perfect match with the ovens in the Mythos collection. A perfect match with the ovens in the Mythos collection.

Product Information

| | |
|-----------------------------|--------------------------------|
| Color | Black |
| Type | Combi microwave |
| Opening mode | Handle |
| Accessories | Cover Plate |
| Accessories | Grill grid |
| Accessories | Steam Box container |
| Accessories | 360 mm Glass turn table |
| Accessories | Baking tray |
| Current of Product | 16.0 |
| Display type | LCD |
| Door opening | drop down |
| Type of Grill | tubular |
| Manual functions | Forced Air + Mw |
| Manual functions | Quick Heat |
| Manual functions | Turbo Grill |
| Manual functions | Grill + Mw |
| Manual functions | Forced Air |
| Manual functions | Turbo Grill + Mw |
| Manual functions | Grill |
| Manual functions | Microwave |
| Microwaves max Output Power | 900.0 |
| Packaging Depth | 650.0 |
| Packaging Height | 630.0 |
| Packaging Width | 690.0 |
| Panel frame | Metal Blk matt Slim Top Stripe |
| Power Consumption (Grill) | 1600.0 |

| | |
|-------------------------------|-------------------------------|
| Power cord length | 1487.0 |
| Rated power | 2800.0 |
| Type of knobs | push/pull |
| Dimensions | |
| Width: front to back | 595.0 |
| Height overall | 455.0 |
| Depth Overall | 560.0 |
| Energy specifications | |
| Voltage | 220-240 V |
| Frequency (Hz) | 50 |
| Installation | |
| Installation type hob | Built-in |
| Product specifications | |
| Cavity type | Stainless steel |
| Cookassist | Auto Defrost - Vegetables |
| Cookassist | Auto Reheat |
| Cookassist | Auto Defrost - Bread |
| Cookassist | Auto Defrost - Fish |
| Cookassist | Auto Steam |
| Cookassist | Auto Defrost - Poultry |
| Cookassist | Auto Air + MWO -Chicken |
| Cookassist | Auto Cook - Canned vegetables |
| Cookassist | Auto Defrost - Meat |
| Cookassist | Auto Air+MWO - Frozen Lasagna |
| Cookassist | Auto Cook - Frozen Vegetables |
| Cookassist | Auto Cook - Fresh Vegetables |
| Cookassist | Auto Cook - Baked potatoes |
| Cookassist | Auto Cook - Pop corn |
| Cookassist | Auto Air + MWO - Cookies |
| Door frame | slim bottom stripe |
| Type of door hinges | Soft closing |
| Model | FMY 45 MW BK |
| Safety lock | Yes |
| Timer | Yes |
| Product identification | |
| Product brand | FRANKE |
| Product family | Mythos |
| Model range | MYTHOS |
| Properties | |
| Technical UI Type | Electronic |
| Cavity capacity | 40.0 |
| Finish door | GLASS / SS |
| Display color | White |
| Number of knobs | 2.0 |