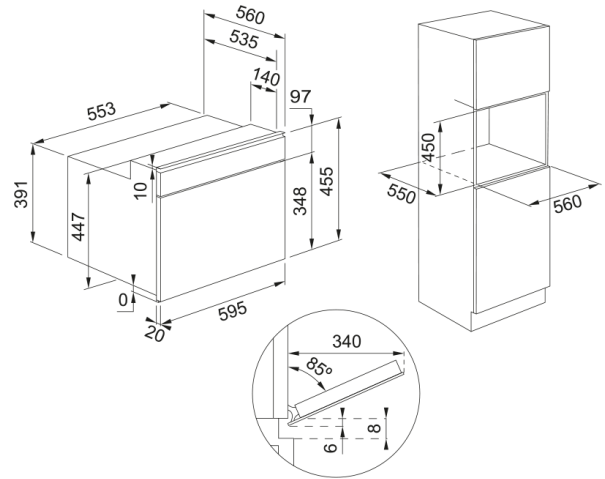


Oven microwave FSM 45 MW XS | 131.0606.103



Oven microwave FSM 45 MW XS

Product Information

Color	Inox
Type	Combi microwave
Opening mode	Handle
Accessories	360 mm Glass turn table
Accessories	Grill grid
Accessories	Baking tray
Accessories	Cover Plate
Current of Product	16.0
Display type	LED
Door opening	drop down
Type of Grill	tubular
Manual functions	Microwave
Manual functions	Grill
Manual functions	Grill + Mw
Manual functions	Turbo Grill
Manual functions	Turbo Grill + Mw
Manual functions	Forced Air
Manual functions	Forced Air + Mw
Microwaves max Output Power	900.0
Packaging Depth	650.0
Packaging Height	630.0
Packaging Width	690.0
Panel frame	SS top & bottom stripes
Power Consumption (Grill)	1600.0
Power cord length	1487.0
Rated power	3200.0
Type of knobs	protruding

Dimensions

Width: front to back	595.0
Height overall	455.0
Depth Overall	560.0

Energy specifications

Voltage	220-240 V
Frequency (Hz)	50

Installation

Installation type hob	Built-in
-----------------------	----------

Product specifications

Cavity type	Stainless steel
Cookassist	Auto Defrost - Meat
Cookassist	Auto Defrost - Poultry
Cookassist	Auto Defrost - Fish
Cookassist	Auto Defrost - Vegetables
Cookassist	Auto Defrost - Bread
Cookassist	Auto Reheat/Cook -Dinner plate
Cookassist	Auto Reheat/Cook - Frozen food
Cookassist	Auto Reheat/Cook-Froz.Lasagna
Cookassist	Auto Reheat/Cook - Soup
Cookassist	Auto Reheat/Cook - Beverages
Cookassist	Auto Reheat/Cook-Baked potato
Cookassist	Auto Reheat/Cook-Fresh veget.
Cookassist	Auto Reheat/Cook-Froz. veget.
Cookassist	Auto Reheat/Cook-Canned veget.
Cookassist	Auto Reheat/Cook - Pop corn
Cookassist	Auto Air + MWO -Chicken
Cookassist	Auto Air + MWO - Cookies
Cookassist	Auto Air + MWO - Whole fish
Cookassist	Auto Air+MWO - Potatoes gratin
Cookassist	Auto Air + MWO - Roastbeef
Door frame	bottom stripe
Type of door hinges	Soft closing
Model	FSM 45 MW XS
Safety lock	Yes
Timer	Yes

Product identification

Product brand	FRANKE
Product family	Smart
Model range	SMART

Properties

Technical UI Type	Electronic
Cavity capacity	40.0
Finish door	GLASS / SS
Display color	White
Number of knobs	2.0