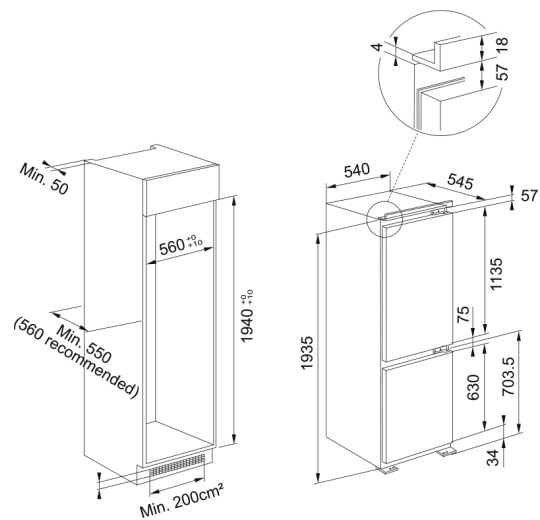


Refrigerator FCB 360 TNF NE E | 118.0656.684



Refrigerator FCB 360 TNF NE E

Product Information

Installation type	Built-in
Color	White

Dimensions

Width: front to back	540.0
Height overall	1935.0
Depth Overall	545.0

Energy specifications

Voltage	220-240 V
Frequency (Hz)	50

Product specifications

Type	BI Combi Bottom
Energy efficiency class	E
Bottle balcony	Yes
Bottle rack	Yes
Cold Zone	Yes
Dairy Compartment	Yes
Door reversibility	Yes
EasyFrost Technology	No
Eggs tray	Yes
Freezing capacity KG/24h	7
Number of fridge adj Balconies	4
Number of fridge shelves	3
Ice tray	Yes
Light position	Top
No frost system	Yes, Total No Frost
Number of freezing drawers	3
Number of Fresh Zone drawer	1

Packaging Depth	608.0
Packaging Height	2000.0
Packaging Width	580.0
Type of light	LED
Width Cabinet in cm	56
Eggs tray color	Transparent
Functions	Fast freeze
Functions	Door open alarm
Functions	Freezer temperature setting
Functions	Fridge temperature setting
Product identification	
Product brand	FRANKE
Product family	Mythos
Properties	
Defrost	Automatic
Capacity net in litre	280
Net capacity freezer in liters	68
Net capacity fridge in liters	212
Fast cooling option	No
Fast freezing option	Yes
Noise level (dBA)	34
Climate Class	SN,T