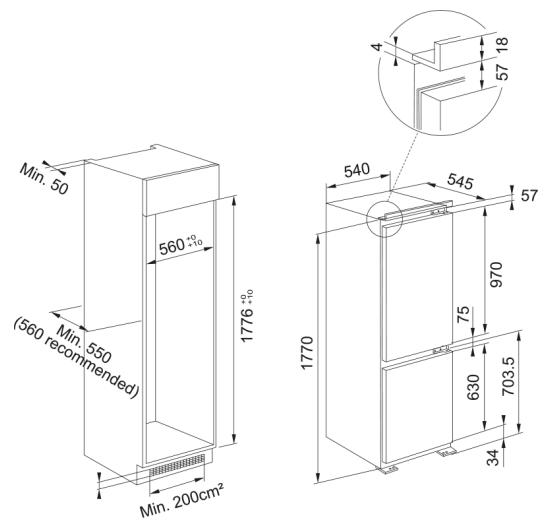


# Refrigerator FCB 320 TNF NE F | 118.0656.683



Refrigerator FCB 320 TNF NE F

## Product Information

Installation type	Built-in
Color	White

## Dimensions

Width: front to back	540.0
Height overall	1770.0
Depth Overall	545.0

## Energy specifications

Voltage	220-240 V
Frequency (Hz)	50

## Product specifications

Type	BI Combi Bottom
Energy efficiency class	F
Freezing capacity KG/24h	7
Width Cabinet in cm	58
Functions	Fast freeze

## Product identification

Product brand	FRANKE
Product family	Maris

## Properties

Defrost	Automatic
Capacity net in litre	250
Net capacity freezer in liters	68
Net capacity fridge in liters	182
Fast cooling option	No
Fast freezing option	Yes
Noise level (dBA)	34
Climate Class	SN,T