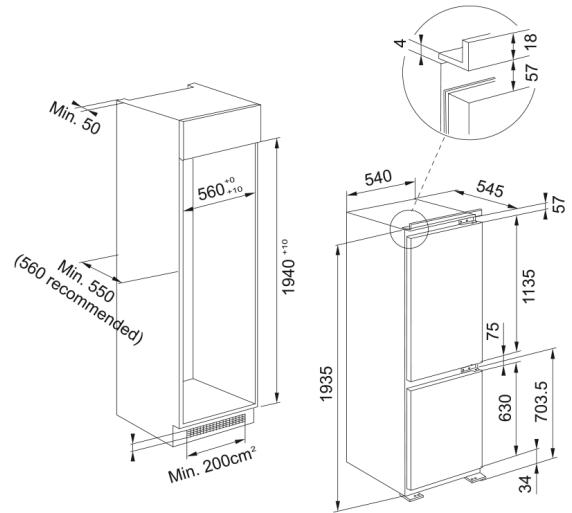


Refrigerator FCB 360 V NE E | 118.0606.723



Refrigerator FCB 360 V NE E

Product Information

Installation type	Built-in
Color	White

Dimensions

Width: front to back	540.0
Height overall	1935.0
Depth Overall	545.0

Energy specifications

Voltage	220-240 V
Frequency (Hz)	50

Product specifications

Type	BI Combi Bottom
Energy efficiency class	E
Bottle balcony	Yes
Bottle rack	Yes
Cold Zone	No
Dairy Compartment	Yes
Door reversibility	Yes
EasyFrost Technology	Yes
Eggs tray	Yes
Freezing capacity KG/24h	4
Number of fridge adj Balconies	4
Number of fridge shelves	4
Ice tray	Yes
Light position	Top
No frost system	No
Number of freezing drawers	3
Number of Fresh Zone drawer	1

Packaging Depth	608.0
Packaging Height	2014.0
Packaging Width	580.0
Type of light	LED
Eggs tray color	Transparent
Functions	Fast cool
Functions	Fridge temperature setting
Product identification	
Product brand	FRANKE
Product family	Mythos
Properties	
Defrost	Manual
Capacity net in litre	306
Net capacity freezer in liters	79
Net capacity fridge in liters	227
Fast cooling option	Yes
Fast freezing option	No
Noise level (dBA)	35
Climate Class	SN,T